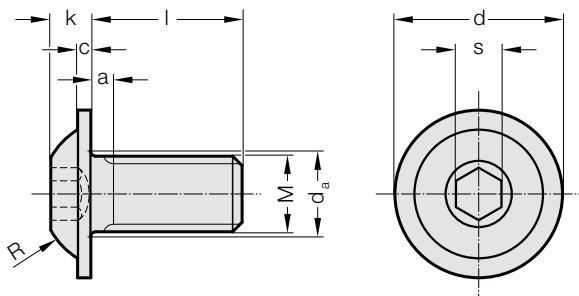
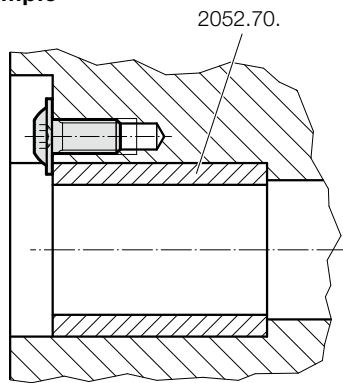


FLAT MUSHROOM HEAD SCREW WITH HEXAGON SOCKET

2192.61.



Mounting example



Material:

Strength class 10.9 = Code No 1.

2192.61. Flat mushroom head screw with hexagon socket

Order No	M	l	k	s	c	a	d _a	d	R
2192.61.06.012	M6	12	3.2	4	1.2	2	7	13.27	5.6
2192.61.06.016	M6	16	3.2	4	1.2	2	7	13.27	5.6
2192.61.06.020	M6	20	3.2	4	1.2	2	7	13.27	5.6
2192.61.08.016	M8	16	4.3	5	1.5	2.5	9.2	17.77	7.5
2192.61.08.020	M8	20	4.3	5	1.5	2.5	9.2	17.77	7.5
2192.61.08.025	M8	25	4.3	5	1.5	2.5	9.2	17.77	7.5
2192.61.10.020	M10	20	5.3	6	1.75	3	11.2	22.18	10