

SPACER PLATE TOOTHED, WITH ADJUSTING PLATE



2444.12 / 2444.13

Material:

Spacer plates: X 210 Cr 12 (1.2080), hardened 58 + 2 HRC
 Adjusting plate: X 153 CrMoV 12 (1.2379)

Description:

For spacing out sheet metal retainers in tools for external skin parts.

Note:

Screws are not included.

'0' = basic setting in the middle (grinding-in)

'+' = adjustment to the right - plus

'-' = adjustment to the left - minus

Attention:

The bolsters are reversible.

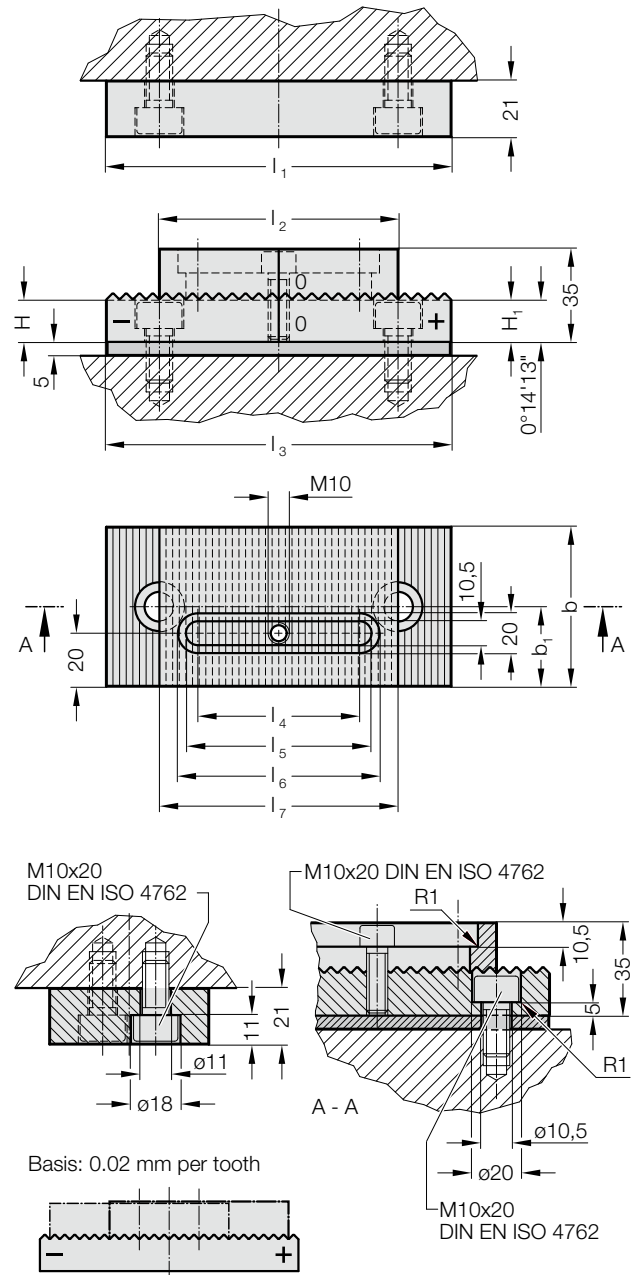
Adjustment range:

2444.12

12 increments each of 0.02 mm means an adjusting range of 0.24 mm with a minimum support area of 80 x 60 mm.

2444.13

14 increments each of 0.02 mm means an adjusting range of 0.28 mm with a minimum support area of 100 x 80 mm.



2444.12 / 2444.13 Spacer plate toothed, with adjusting plate

Order No	l_1	l_2	l_3	l_4	l_5	l_6	l_7	b	b_1	H	H_1
2444.12	130	90	130	61	72	79	90	60	30	15.5	16.04
2444.13	160	110	160	71	82	89	120	80	40	15.5	16.16