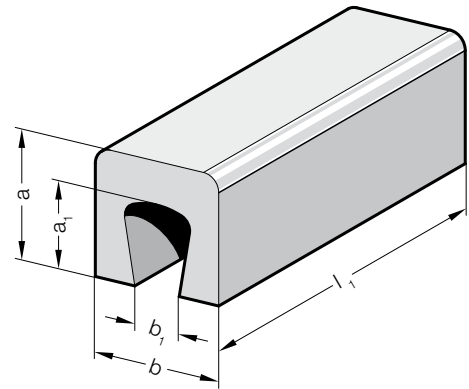


# FIBROFLEX®-U-PROFIL ROD



250.



### Execution:

FIBROFLEX® is available in 3 Shore hardnesses:

.5.=80 Shore A = colour: Green

.6.=90 Shore A = colour: Yellow

.7.=95 Shore A = colour: Red

Further technical data at the beginning of Chapter G.

### Ordering Code (example):

FIBROFLEX®-U-Profil rod	=250.
Spring hardness MAT	80 Shore A = 5.
Height a	75 mm = 075.
Width b	100 mm = 100.
Length l <sub>1</sub>	250 mm = 0250
Order No	=250. 5.075. 100. 0250

### 250. FIBROFLEX®-U-Profil rod

a	b	a <sub>1</sub>	b <sub>1</sub>	l <sub>1</sub>	250	500
50	50	35	20		●	●
50	75	35	30		●	●
75	100	50	40		●	●
100	200	60	120		●	●