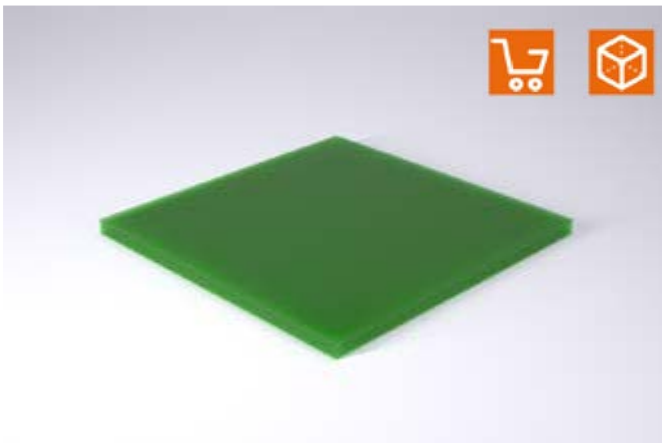
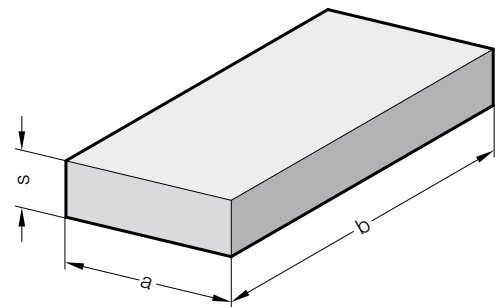


FIBROFLEX®-PLATE



251.




Execution:

FIBROFLEX® is available in 3 Shore hardnesses:

.5.=80 Shore A = colour: Green

.6.=90 Shore A = colour: Yellow

.7.=95 Shore A = colour: Red

 Further technical data at the beginning of Chapter G.

Ordering Code (example):

FIBROFLEX®-Plate		=251.
Spring hardness	80 Shore A	= 5.
Thickness s	15 mm	= 015.
Length a	250 mm	= 0250.
Width b	250 mm	= 0250
Order No		=251. 5.015. 0250. 0250

251. FIBROFLEX®-Plate

	250	250	500	500	1000
a	250	250	500	500	1000
b	250	500	500	1,000	1,000
s					
1	●	●	●	●	
2	●	●	●	●	
3	●	●	●	●	
4	●	●	●	●	
5	●	●	●	●	
6	●	●	●	●	
7	●	●	●	●	
8	●	●	●	●	●
10	●	●	●	●	●
12	●	●	●	●	●
15	●	●	●	●	●
20	●	●	●	●	●
25	●	●	●	●	●
30	●	●	●	●	●
40	●	●	●	●	●
50	●	●	●	●	●
60	●	●	●	●	●
70	●	●	●	●	●
80	●	●	●	●	●