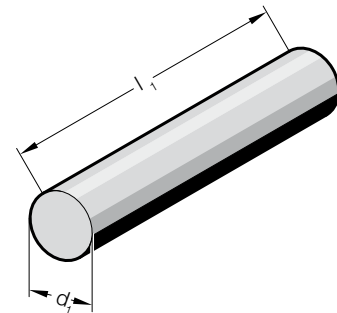


FIBROFLEX®-ROUND ROD



253.




Execution:

FIBROFLEX® is available in 3 Shore hardnesses:

.5.=80 Shore A = colour: Green

.6.=90 Shore A = colour: Yellow

.7.=95 Shore A = colour: Red

 Further technical data at the beginning of Chapter G.

Ordering Code (example):

FIBROFLEX®-Round rod	=253.
Spring hardness MAT 80 Shore A	= 5.
Outer diameter d ₁ 3 mm	= 003
Order No	=253.5.003

253. FIBROFLEX®-Round rod

d ₁	l ₁	330	500	1,000
2		●		
3				●
4				●
5				●
6				●
7				●
8				●
10				●
12				●
16		●		
20			●	
25			●	
32			●	
40			●	
50			●	
63			●	
80			●	
100			●	
125			●	
140			●	
150			●	
160			●	
180			●	
200			●	