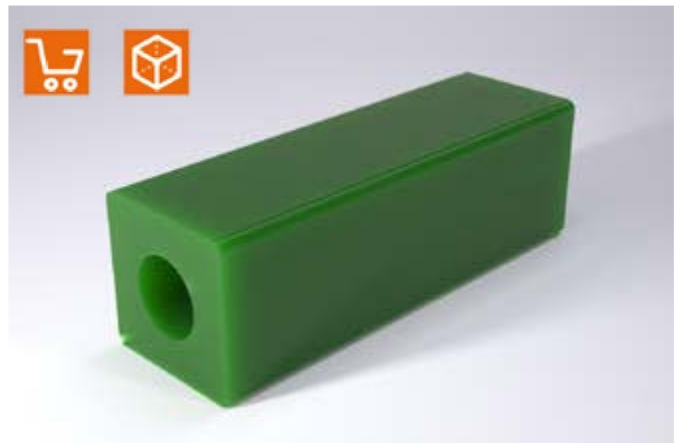
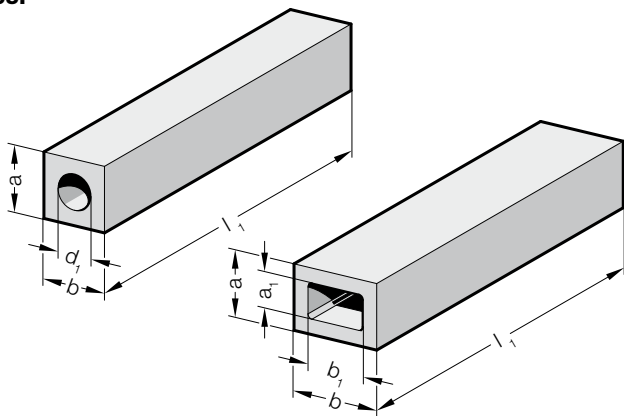


FIBROFLEX®-HOLLOW SQUARE ROD

255.



Execution:

FIBROFLEX® is available in 3 Shore hardnesses:

.5.=80 Shore A = colour: Green

.6.=90 Shore A = colour: Yellow

.7.=95 Shore A = colour: Red

Further technical data at the beginning of Chapter G.

Ordering Code (example):

FIBROFLEX®-Hollow Square rod		=255.
Spring hardness MAT	80 Shore A	= 5.
Height a	80 mm	= 080.
Width b	80 mm	= 080.
Length l ₁	250 mm	= 0250
Order No		=255.5.080.080.0250

255. FIBROFLEX®-Hollow Square rod

a	b	a ₁	b ₁	d ₁	l ₁	250	500	1000
40	60	20	35					
45	45			20				
50	50			25				
50	180	20	120					
60	60			30		●		
60	80	30	50					
80	80			40		●		
80	100	40	60			●	●	
100	100	50	50			●		
100	125	50	70			●	●	
100	180	50	123			●	●	●
125	125	75	75					