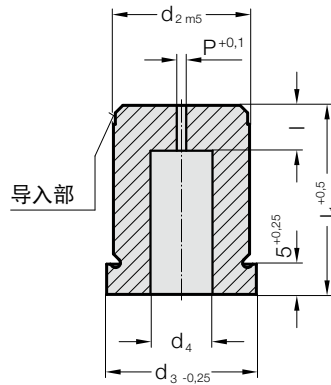


精密冲裁凹模 带凸缘, 毛坯, ISO 8977

2607.

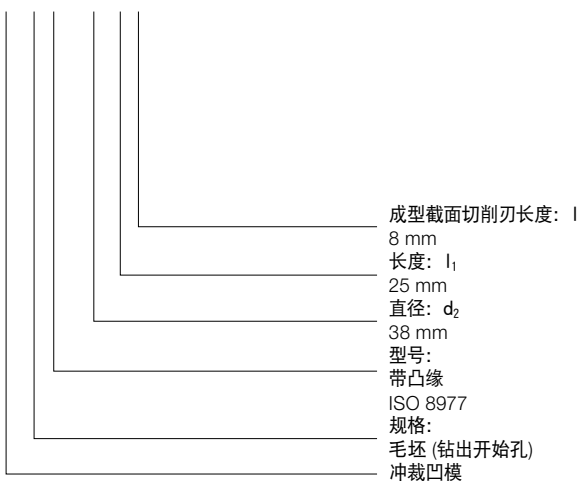


2607. 精密冲裁凹模 带凸缘, 毛坯, ISO 8977

d ₂ / 订购数字	d ₃	d ₄	P	l / 订购数字	l ₁ / (订货字母)	16 (B)	20 (C)	22 (D)	25 (E)	28 (F)	30 (G)	32 (H)	35 (J)
5 / (1)	8	2.8	0.8	2 (1)		●	●	●	●	●	●	●	●
6 / (2)	9	3.5	1	3 (2)		●	●	●	●	●	●	●	●
8 / (3)	11	4	1	4 (3)		●	●	●	●	●	●	●	●
10 / (4)	13	5.8	1	4 (3) 8 (6)		●	●	●	●	●	●	●	●
13 / (5)	16	8	1.2	5 (4) 8 (6)			●	●	●	●	●	●	●
16 / (6)	19	9.5	1.2	5 (4) 8 (6)			●	●	●	●	●	●	●
20 / (7)	23	12	1.5	8 (6) 12 (8)			●	●	●	●	●	●	●
22 / (8)	25	15	1.5	8 (6) 12 (8)			●	●	●	●	●	●	●
25 / (9)	28	17.3	1.5	8 (6) 12 (8)			●	●	●	●	●	●	●
32 / (10)	35	20.7	1.5	8 (6) 12 (8)			●	●	●	●	●	●	●
38 / (11)	41	27.7	1.5	8 (6) 12 (8)			●	●	●	●	●	●	●
40 / (12)	43	27.7	1.5	8 (6) 12 (8)			●	●	●	●	●	●	●
50 / (14)	53	37	1.5	8 (6) 12 (8)			●	●	●	●	●	●	●

订购示例:

2 6 0 7 . 1 1 E 6



订购数字
= (6)
订货字母
= (E)
订购数字
= (11)
订购数字
= (7)
订购数字
= (0)
= 26

材料:

HSS

硬度 62 ± 2 HRC

结构:

磨直径 d₂, 定中心倒棱面以及端面。

直径 P 是为电火花线切割钻出的开始孔。

特别尺寸请咨询