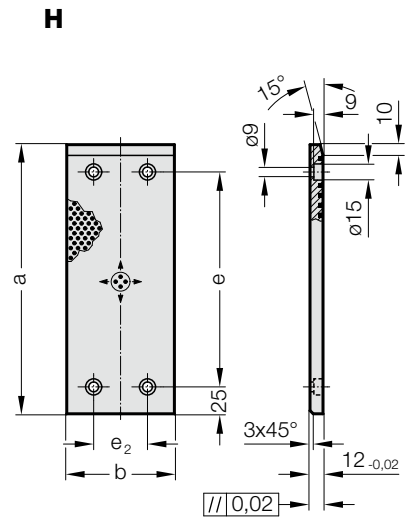
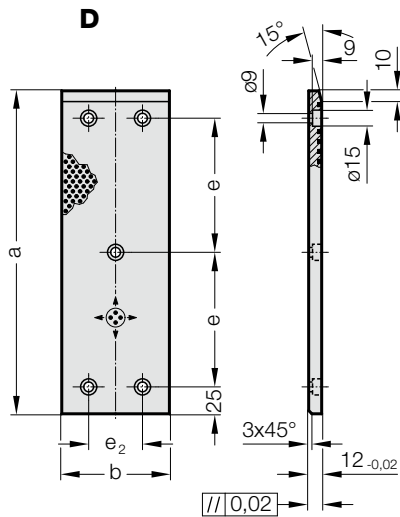
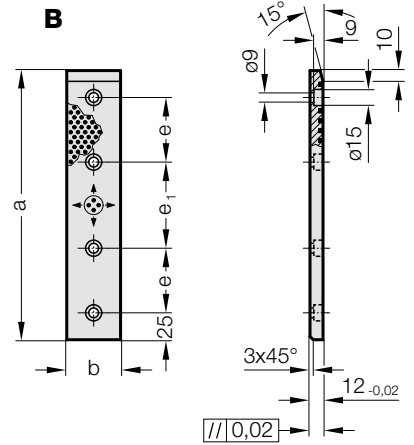
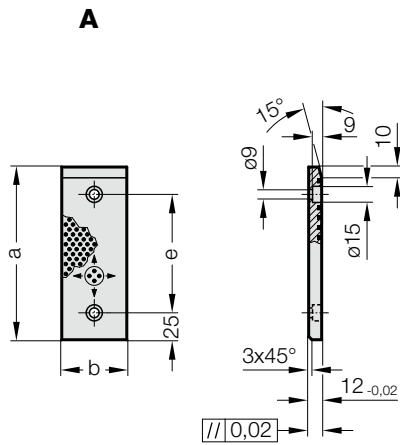


SLIDING PAD, BRONZE WITH SOLID LUBRICANT, VDI 3357



2960.81.



Material:

Bronze with solid lubricant, oilless lubricating

Note:

Screws are not included.

Fixing:

Use socket cap screws DIN EN ISO 4762 M8.

SLIDING PAD, BRONZE WITH SOLID LUBRICANT, VDI 3357

2960.81. Sliding pad, Bronze with solid lubricant, VDI 3357

Order No	Shape	b	a	e	e ₁	e ₂	Number of screw holes
2960.81.030.080	A	30	80	30	-	-	2
2960.81.030.100	A	30	100	50	-	-	2
2960.81.030.125	A	30	125	75	-	-	2
2960.81.030.160	A	30	160	110	-	-	2
2960.81.030.200	A	30	200	150	-	-	2
2960.81.030.225	A	30	225	175	-	-	2
2960.81.030.250	B	30	250	60	80	-	4
2960.81.030.260	B	30	260	60	90	-	4
2960.81.030.280	B	30	280	60	110	-	4
2960.81.030.300	B	30	300	80	90	-	4
2960.81.030.320	B	30	320	80	110	-	4
2960.81.040.080	A	40	80	30	-	-	2
2960.81.040.100	A	40	100	50	-	-	2
2960.81.040.125	A	40	125	75	-	-	2
2960.81.040.160	A	40	160	110	-	-	2
2960.81.040.200	A	40	200	150	-	-	2
2960.81.050.080	A	50	80	30	-	-	2
2960.81.050.100	A	50	100	50	-	-	2
2960.81.050.125	A	50	125	75	-	-	2
2960.81.050.160	A	50	160	110	-	-	2
2960.81.050.200	A	50	200	150	-	-	2
2960.81.050.225	A	50	225	175	-	-	2
2960.81.050.250	B	50	250	60	80	-	4
2960.81.050.300	B	50	300	80	90	-	4
2960.81.050.350	B	50	350	100	100	-	4
2960.81.050.400	B	50	400	120	110	-	4
2960.81.060.080	A	60	80	30	-	-	2
2960.81.060.100	A	60	100	50	-	-	2
2960.81.060.125	A	60	125	75	-	-	2
2960.81.060.160	A	60	160	110	-	-	2
2960.81.060.200	A	60	200	150	-	-	2
2960.81.060.225	A	60	225	175	-	-	2
2960.81.060.240	B	60	240	60	70	-	4
2960.81.060.250	B	60	250	60	80	-	4
2960.81.060.260	B	60	260	60	90	-	4
2960.81.060.280	B	60	280	60	110	-	4
2960.81.080.080	A	80	80	30	-	-	2
2960.81.080.100	A	80	100	50	-	-	2
2960.81.080.125	A	80	125	75	-	-	2
2960.81.080.160	A	80	160	110	-	-	2
2960.81.080.200	A	80	200	150	-	-	2
2960.81.080.225	A	80	225	175	-	-	2
2960.81.080.240	B	80	240	60	70	-	4
2960.81.080.250	B	80	250	60	80	-	4
2960.81.080.260	B	80	260	60	90	-	4
2960.81.080.280	B	80	280	60	110	-	4
2960.81.100.125	H	100	125	75	-	50	4
2960.81.100.160	H	100	160	110	-	50	4
2960.81.100.200	H	100	200	150	-	50	4
2960.81.100.240	B	100	240	60	70	-	4
2960.81.100.250	H	100	250	200	-	50	4
2960.81.100.260	B	100	260	60	90	-	4
2960.81.100.280	B	100	280	60	110	-	4
2960.81.100.300	D	100	300	125	-	50	5