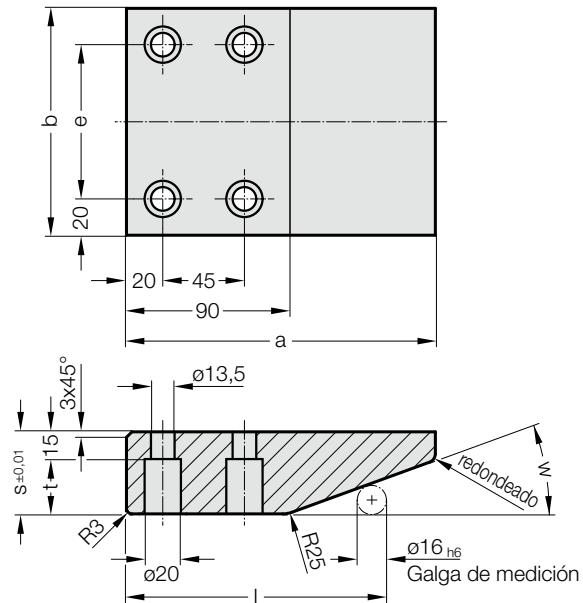


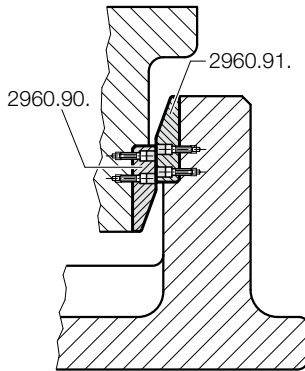
# CUÑA DE SOBRECARRERA, ACERO CON TEMPLE INTEGRAL Y NITRURADO CON GAS, VDI 3357



2960.91.



## Ejemplo de montaje



### Material:

Acero, temple integral y nitrurado con gas

### Nota:

Se suministro sin los tornillos.

### Sujeción:

Emplear tornillos Allen cilíndricos DIN EN ISO 4762 M12.

## 2960.91. Cuña de sobrecarrera, Acero con temple integral y nitrurado con gas, VDI 3357

| Código              | b   | a   | s  | e   | t  | w  | l      |
|---------------------|-----|-----|----|-----|----|----|--------|
| 2960.91.100.170.045 | 100 | 170 | 45 | 60  | 30 | 20 | 143,37 |
| 2960.91.125.170.045 | 125 | 170 | 45 | 85  | 30 | 20 | 143,37 |
| 2960.91.150.170.045 | 150 | 170 | 45 | 110 | 30 | 20 | 143,37 |
| 2960.91.200.170.045 | 200 | 170 | 45 | 160 | 30 | 20 | 143,37 |
| 2960.91.100.150.045 | 100 | 150 | 45 | 60  | 30 | 30 | 127,86 |
| 2960.91.100.170.060 | 100 | 170 | 60 | 60  | 45 | 30 | 127,86 |
| 2960.91.125.150.045 | 125 | 150 | 45 | 85  | 30 | 30 | 127,86 |
| 2960.91.125.170.060 | 125 | 170 | 60 | 85  | 45 | 30 | 127,86 |
| 2960.91.150.150.045 | 150 | 150 | 45 | 110 | 30 | 30 | 127,86 |
| 2960.91.150.170.060 | 150 | 170 | 60 | 110 | 45 | 30 | 127,86 |
| 2960.91.200.150.045 | 200 | 150 | 45 | 160 | 30 | 30 | 127,86 |
| 2960.91.200.170.060 | 200 | 170 | 60 | 160 | 45 | 30 | 127,86 |