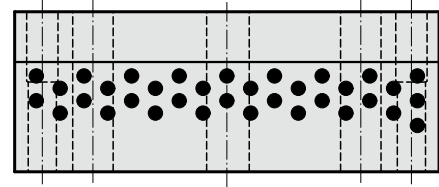
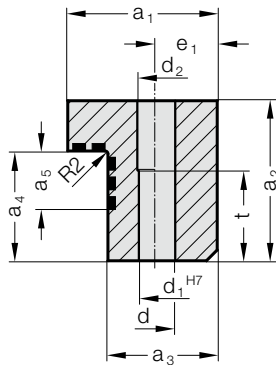


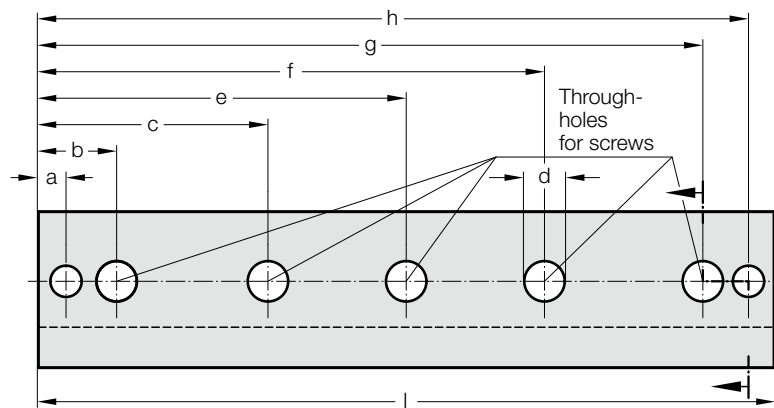
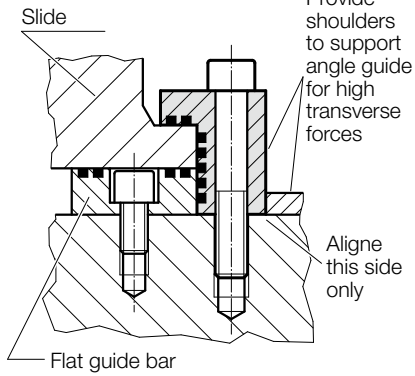
# ANGLED GUIDE GIB, BRONZE WITH SOLID LUBRICANT



2962.82.



## Mounting example



## Material:

Bronze with solid lubricant, oilless lubricating

## Note:

Screws and pins are not included.

## Fixing:

Use socket cap screws DIN EN ISO 4762 and dowel pins DIN 7979.

## 2962.82. Angled guide gib, Bronze with solid lubricant

Order No	a <sub>1</sub>	a <sub>2</sub>	l	a <sub>3</sub>	a <sub>4</sub>	a <sub>5</sub>	a	b	c	e	e <sub>1</sub>	f	g	h	d	d <sub>1</sub>	d <sub>2</sub>	t	Number of screw holes
2962.82.055.100	55	55	100	37	39	23	10	27.5	-	-	20	-	72.5	90	13.5	10	11	30	2
2962.82.055.160	55	55	160	37	39	23	10	27.5	-	-	20	-	132.5	150	13.5	10	11	30	2
2962.82.070.160	70	75	160	50	55	35	12.5	35	-	-	30	-	125	147.5	17.5	12	13	30	2
2962.82.070.200	70	75	200	50	55	35	12.5	35	-	-	30	-	165	187.5	17.5	12	13	30	2
2962.82.070.250	70	75	250	50	55	35	12.5	35	-	125	30	-	215	237.5	17.5	12	13	30	3
2962.82.070.400	70	75	400	50	55	35	12.5	35	125	200	30	275	365	387.5	17.5	12	13	30	5
2962.82.085.160	85	90	160	63	65	45	15	42.5	-	-	38	-	117.5	145	22	16	17	30	2
2962.82.085.200	85	90	200	63	65	45	15	42.5	-	-	38	-	157.5	185	22	16	17	30	2
2962.82.085.250	85	90	250	63	65	45	15	42.5	-	125	38	-	207.5	235	22	16	17	30	3
2962.82.085.400	85	90	400	63	65	45	15	42.5	125	200	38	275	357.5	385	22	16	17	30	5