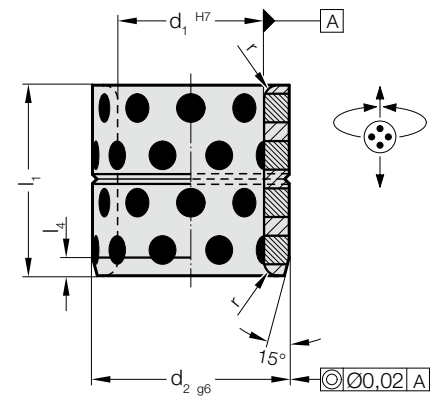


# GUIDE BUSH, BRONZE WITH SOLID LUBRICANT



3120.70.



**Material:**

Bronze with solid lubricant, oilless lubricating

**Note:**

Bushes can be used with radial or axial motion.

Assembly guide lines / Dimensional requirements and tolerances at the end of chapter D.

**Fixing:**

Connecting with adhesive or if needed secure with threaded pin or flat mushroom head screw 2192.61.

**3120.70. Guide bush, Bronze with solid lubricant**

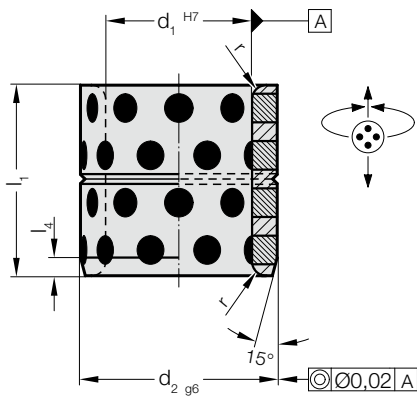
d <sub>1</sub>	8	10	10	12	13	14	15	16	18	20	20	20	24	25	25	25	28	30	30	30	31.5	32	35	35	38	40	40
d <sub>2</sub>	12	14	15	18	19	20	21	22	24	26	28	30	32	32	33	35	38	38	40	42	40	42	44	45	48	50	55
r	0.5	0.5	0.5	0.5	0.5	0.5	0.75	0.75	0.75	0.75	0.75	0.75	0.75	0.75	0.75	0.75	0.75	0.75	0.75	0.75	0.75	0.75	0.75	0.75	1.5	1.5	1.5
l <sub>1</sub>	2	2	2	2	2	2	2	2	2	4	4	4	4	4	4	4	4	4	4	4	4	4	4	4	4	4	4
l <sub>1</sub>	8	10	12	15	16	20	25	30	35	40	47	50	60	70	77	80											

**Ordering Code (example):**

Guide bush, Bronze with solid lubricant	=3120.70.
Diameter of conduit d <sub>1</sub>	40 mm = 040.
Outer diameter d <sub>2</sub>	55 mm = 055.
Installation length l <sub>1</sub>	25 mm = 025
Order No	=3120.70. 040. 055.025

# GUIDE BUSH, BRONZE WITH SOLID LUBRICANT

3120.70.



## Material:

Bronze with solid lubricant, oilless lubricating

## Note:

Bushes can be used with radial or axial motion.

Assembly guide lines / Dimensional requirements and tolerances at the end of chapter D.

## Fixing:

Connecting with adhesive or if needed secure with threaded pin or flat mushroom head screw 2192.61.

## 3120.70. Guide bush, Bronze with solid lubricant

	45	45	45	50	50	50	55	60	60	63	65	70	70	75	75	80	80	85	90	100	110	120	125	130	140	150	160
$d_1$	45	45	45	50	50	50	55	60	60	63	65	70	70	75	75	80	80	85	90	100	110	120	125	130	140	150	160
$d_2$	55	56	60	60	62	65	70	74	75	75	80	85	90	90	95	96	100	100	110	120	130	140	145	150	160	170	180
$r$	1.5	1.5	1.5	1.5	1.5	1.5	2	2	2	2	2	2	2	2	2	2	2	2	2	2	2	2	2	2	2	2	2
$l_1$	4	4	4	4	4	4	4	4	4	4	4	4	4	4	4	4	4	4	4	4	4	4	4	4	4	4	4
$l_1$																											
30	•	•	•	•	•	•		•	•																		
35	•	•	•	•	•	•		•	•			•															
40	•	•	•	•	•	•	•	•	•			•					•	•									
50	•	•	•	•	•	•	•	•	•	•	•	•	•	•	•	•	•	•	•	•	•	•	•	•	•	•	•
60	•	•	•	•	•	•	•	•	•	•	•	•	•	•	•	•	•	•	•	•	•	•	•	•	•	•	•
70			•	•	•	•	•	•	•	•	•	•	•	•	•	•	•	•	•	•	•	•	•	•	•	•	•
80			•	•	•	•	•	•	•	•	•	•	•	•	•	•	•	•	•	•	•	•	•	•	•	•	•
95			•																								
100				•					•			•		•	•	•	•	•	•	•	•	•	•	•	•	•	•
120											•					•	•	•	•	•	•	•	•	•	•	•	•
130																								•			
140																									•		
150																										•	•

## Ordering Code (example):

Guide bush, Bronze with solid lubricant	=3120.70.
Diameter of conduit $d_1$	40 mm = 040.
Outer diameter $d_2$	55 mm = 055.
Installation length $l_1$	25 mm = 025.
Order No	=3120.70. 040. 055.025