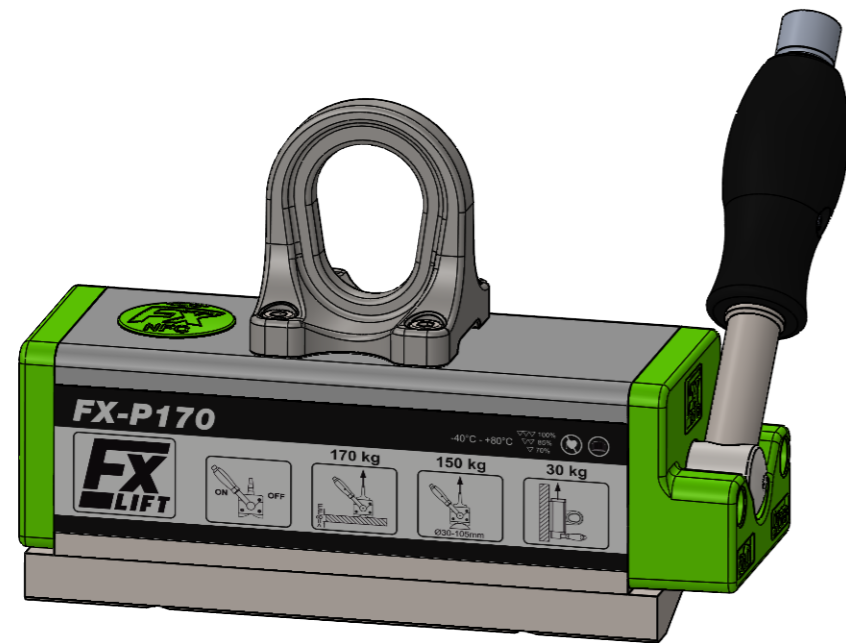
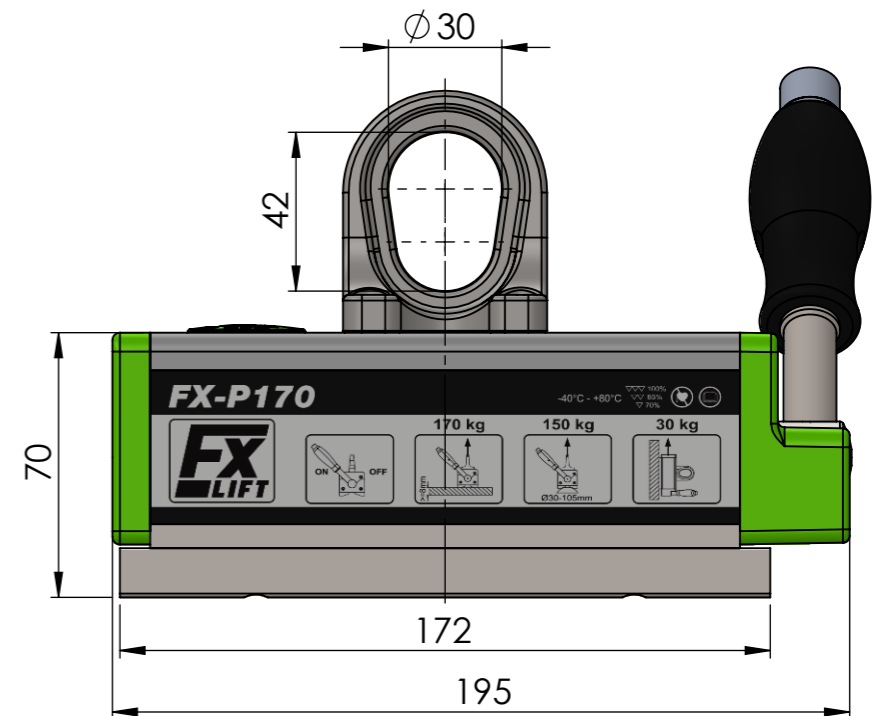
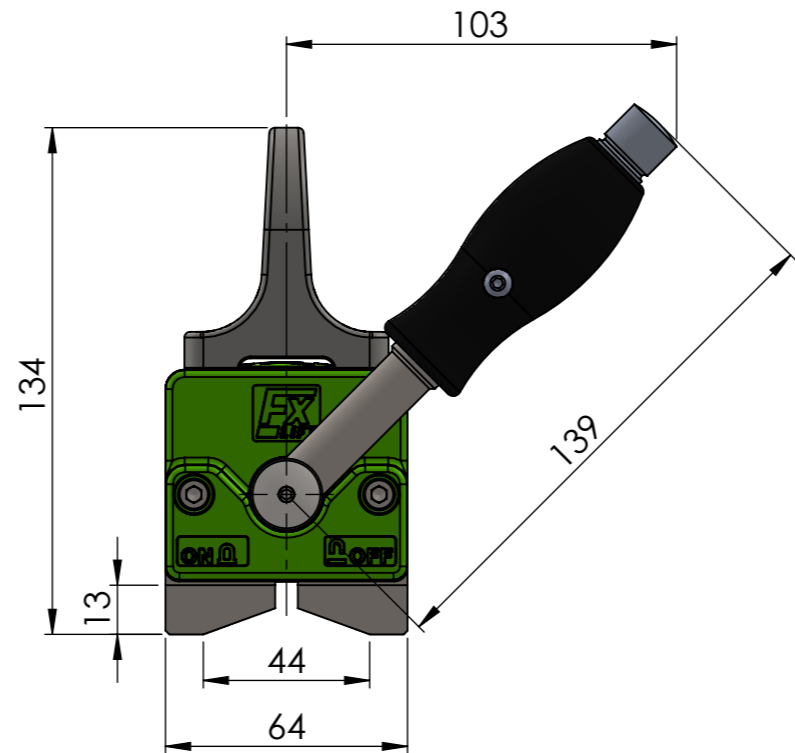
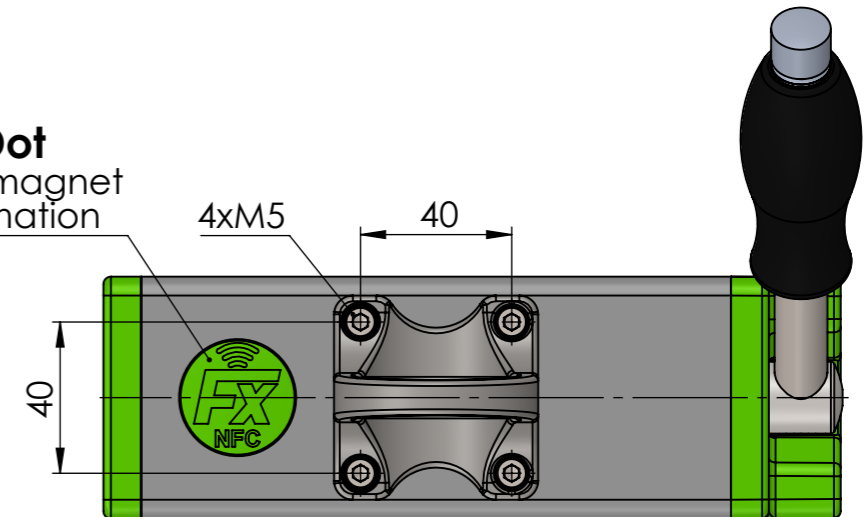



Working load according to EN 13155/WLL	
Load capacity on flat material:	170kg
Load capacity Ø30-105mm:	150kg
Max. load capacity > 8mm material thickness	



**Green-Dot**  
NFC-Tag with magnet  
related information



FX-P170	Air gap <0,1mm			Air gap 0,1-0,3mm			Air gap 0,3-0,5mm			Schutzvermerk nach DIN ISO 16016 beachten! Nachdruck nur mit unserer Genehmigung! All rights reserved according to DIN ISO 16016! Reprint with our permission only!	3,2 / -0,05 / -0,2 tolerance	material:	weight: 5.10		
Material Thickness (mm)	Max. Load (kg)	Max. L (mm)	Max. B(mm)	Max. Load (kg)	Max. L (mm)	Max. B(mm)	Max. Load (kg)	Max. L (mm)	Max. B(mm)					ISO 7168 M	drawing no.:
>=2	30	800	800	20	800	800	15	800	800	drawn	28.07.2022	TW	description: <b>FX-P170</b>		
>=4	80	1500	1250	60	1500	1250	50	1200	1250	edit	31.01.2024				
>=6	120	1500	1250	90	1500	1250	75	1200	1250	appr.	31.01.2024	TW			
>=8	170	1500	1250	130	1500	1250	100	1200	1250	 <b>FLAIG</b> Magnetsysteme www.flraig-te.de			part no.:	11010172	sheet 1 / 1
Ø30-105	150	2000	-	115	2000	-	60	1500	-				03 Green Dot	17.01.2024	TW
										02 Tabelle	14.12.2023	TW			
										rev. change	date	name			