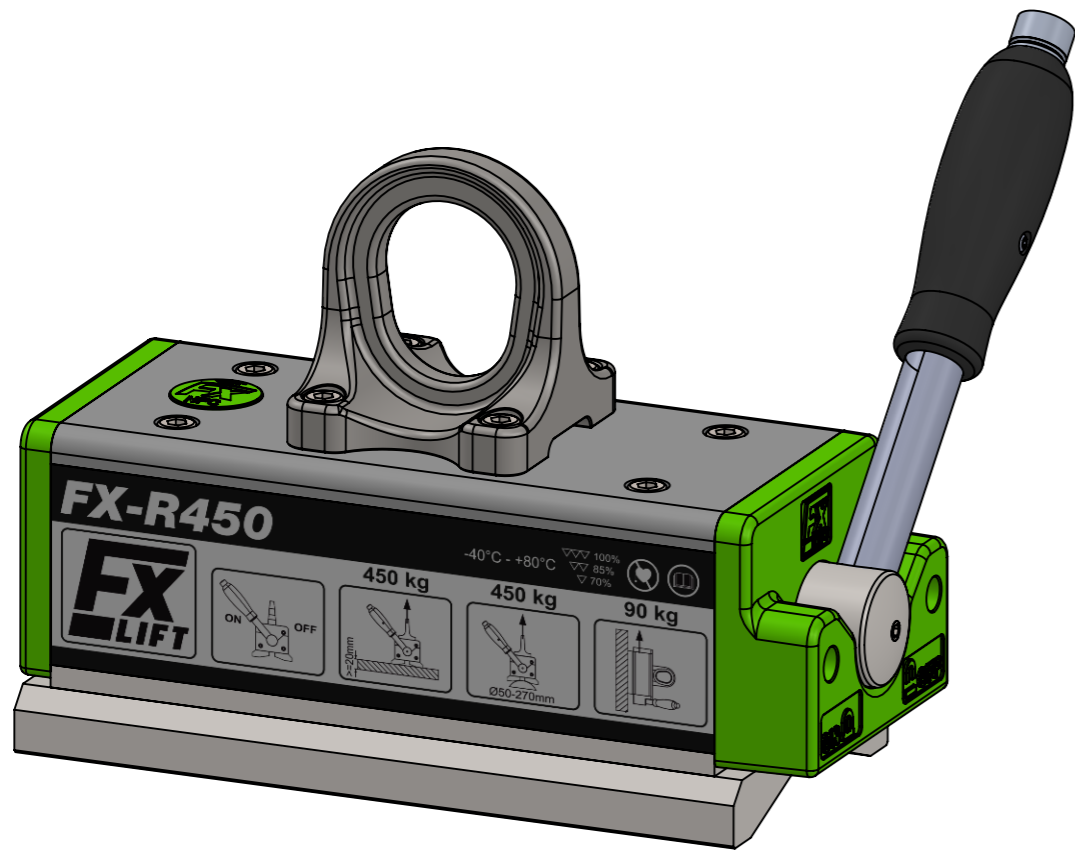
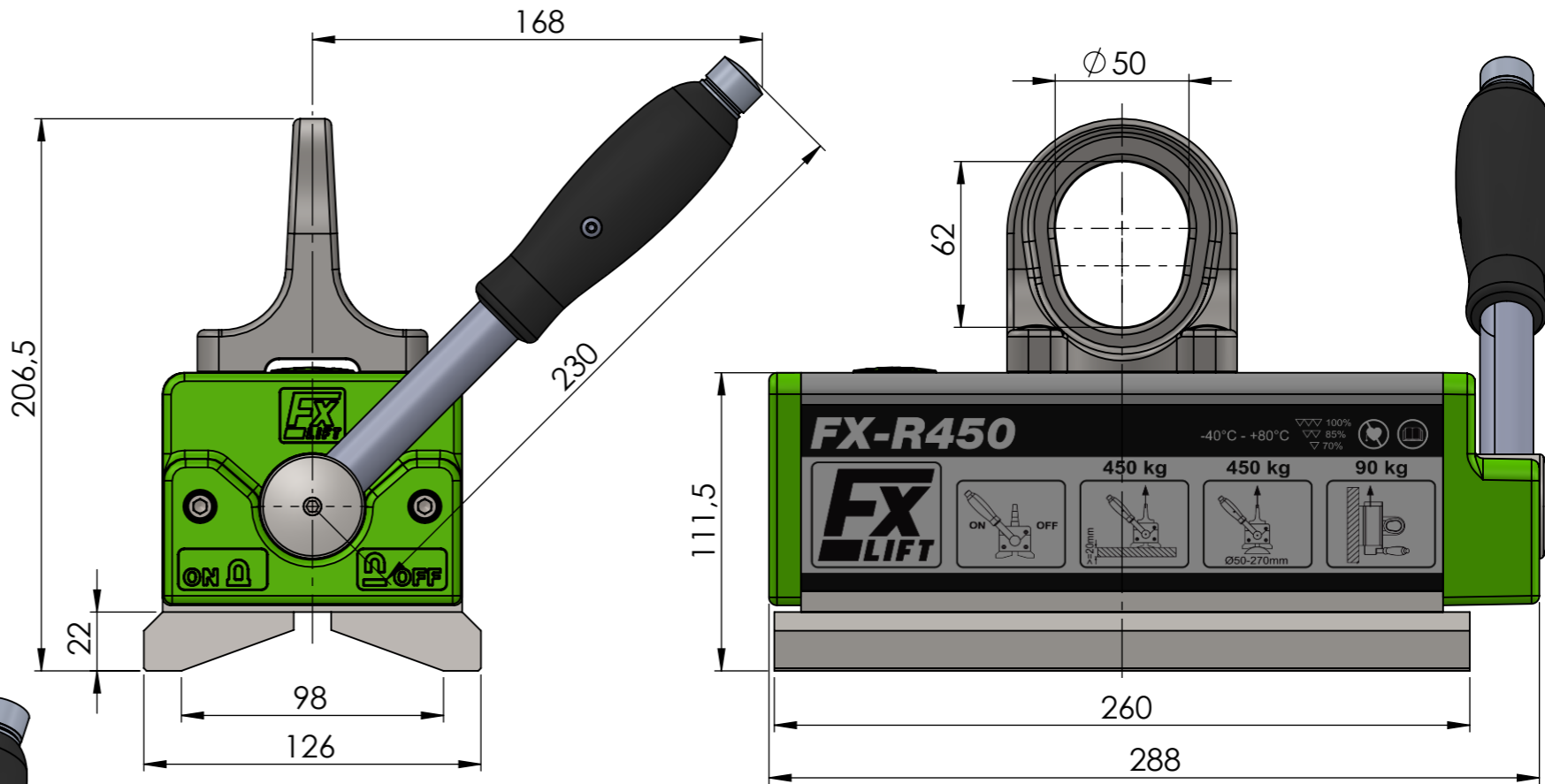
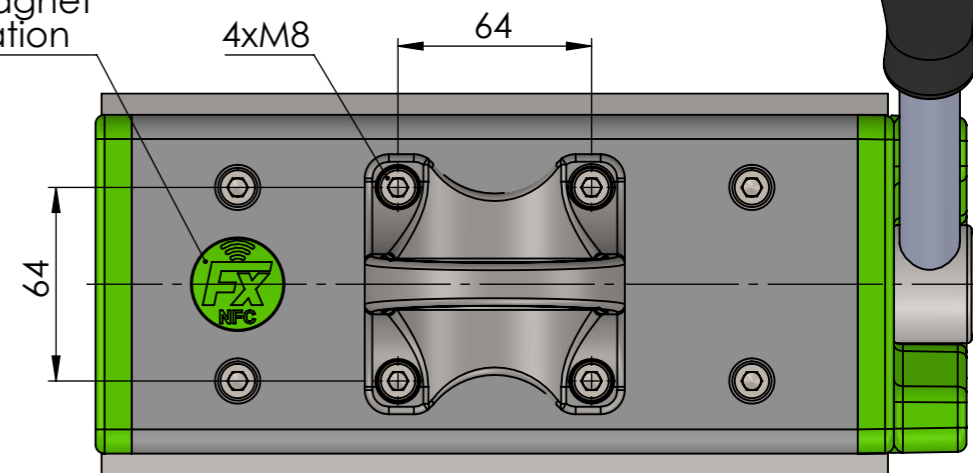


Working load according to EN 13155/WLL	
Load capacity on flat material:	450kg
Load capacity Ø50-270mm:	450kg
Max. load capacity > 20mm material thickness	



Green-Dot
NFC-Tag with magnet
related information



FX-R450	Air gap <0,2mm			Air gap 0,2-0,3mm			Air gap 0,3-0,6mm			Schutzvermerk nach DIN ISO 16016 beachten! Nachdruck nur mit unserer Genehmigung! All rights reserved according to DIN ISO 16016! Reprint with our permission only!		tolerance		material:	weight: 22.00
Material Thickness (mm)	Max. Load (kg)	Max. L (mm)	Max. B (mm)	Max. Load (kg)	Max. L (mm)	Max. B (mm)	Max. Load (kg)	Max. L (mm)	Max. B (mm)	3,2	-0,05 -0,2	ISO 7168 M	drawing no.:	0014006	
>=6	150	1800	1500	120	1800	1000	100	1500	1250	drawn	28.07.2022	TW	description:	FX-R450	
>=10	300	2250	1500	250	2250	1250	210	2000	1250	edit	31.01.2024		part no.:	11010451	
>=15	400	2500	1500	350	2500	1250	300	2000	1250	appr.	31.01.2024	TW	sheet	1 / 1	
>=20	450	3000	1500	400	3000	1250	350	2500	1250	 www.flaign-te.de		scale:	1:2.5		
Ø50-270	450	4000	-	375	3500	-	280	3000	-			rev.	change	date	name