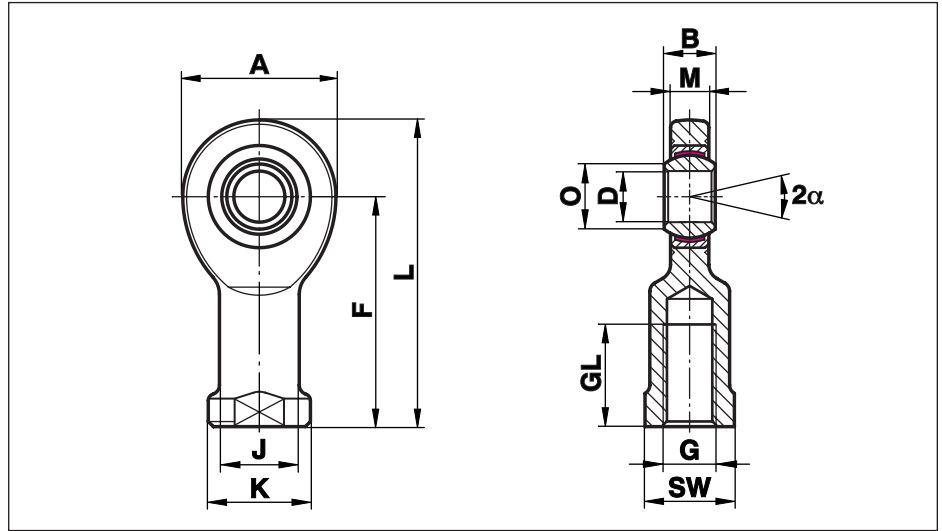


Rod Ends Series E - Stainless, Maintenance Free

Series EI..D-NIRO

Rod Ends with female thread, maintenance free, made from stainless steel with maintenance free Spherical Plain Bearings GE..EC-NIRO

For use at high unidirectional loads, in corrosive environments and limited fitting dimensions



Size (D)	B	M	A	F	L	K	J	O	SW	G	GL	Static load C ₀ kN	Dynamic load C kN	Pivoting angle	Weight g
6	6	4,4	20	30	40,0	13	10,0	8,0	11	M 6	12	6,0	4	13	21
8	8	6,0	24	36	48,0	16	12,5	10,2	14	M 8	16	9,2	7	15	38
10	9	7,0	28	43	57,0	19	15,0	13,2	17	M 10	20	13,6	10	12	60
12	10	8,0	34	50	67,0	22	17,5	14,9	19	M 12	22	18,0	14	11	96
15	12	10,0	40	61	81,0	26	21,0	18,4	22	M 14	29	26,5	30	8	180
16	14	11,0	46	67	90,0	30	24,0	20,7	27	M 16	33	34,0	39	10	220
17	14	11,0	46	67	90,0	30	24,0	20,7	27	M 16	33	34,0	39	10	220
20	16	13,0	53	77	103,5	35	27,5	24,2	32	M 20x1,5	38	45,0	54	9	350
25	20	17,0	64	94	126,0	42	33,5	29,3	36	M 24x2	48	73,0	96	7	640
30	22	19,0	73	110	146,5	50	40,0	34,2	41	M 30x2	56	97,0	118	6	930
35	25	21,0	82	125	166,0	58	47,0	39,8	50	M 36x3	60	111,0	153	6	1300
40	28	23,0	92	142	188,0	65	52,0	45,0	55	M 39x3	65	135,0	190	7	2000
45 ¹⁾	32	27,0	102	145	196,0	70	58,0	50,8	60	M 42x3	65	178,0	247	7	2500
50	35	30,0	112	160	216,0	75	62,0	56,0	65	M 45x3	68	216,0	308	6	3500
60 ¹⁾	44	38,0	135	175	242,5	88	70,0	66,8	75	M 52x3	70	336,0	481	6	5550
70 ¹⁾	49	42,0	160	200	280,0	98	80,0	77,9	85	M 56x4	80	459,0	619	6	8600
80 ¹⁾	55	47,0	180	230	320,0	110	95,0	89,4	100	M 64x4	85	570,0	792	6	12000

Materials:

Housing: up to size 10 stainless steel to 1.4057, Aisi 431, forged, polished, from size 12 stainless steel to 1.4301, Aisi 303, forged, polished, from size 45 stainless steel to 1.4301, Aisi 303, turned

Bearing: Maintenance free stainless steel Spherical Plain Bearing GE...EC-NIRO (see page 49)

¹⁾ availability and price on request