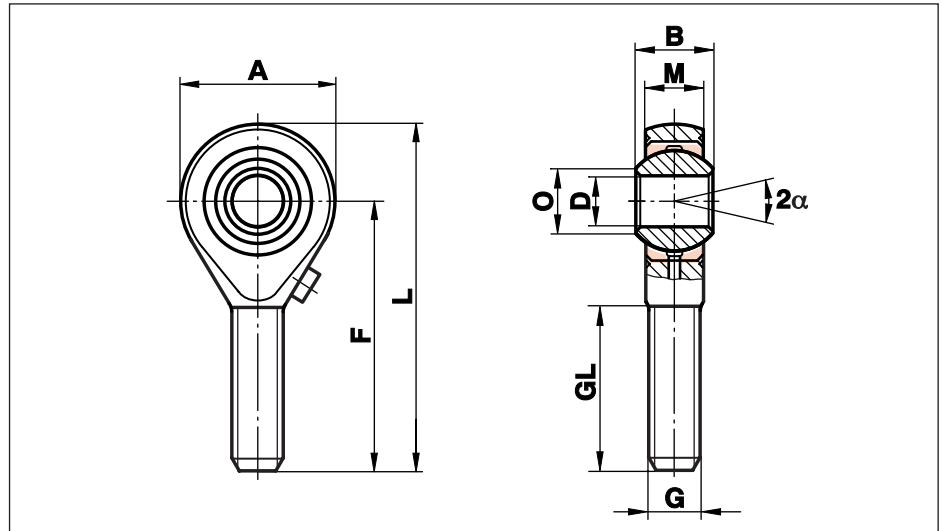


Rod Ends Series K - Stainless

Series GARS

Rod Ends with male thread made from stainless steel, regreasable through grease nipple in housing

For use in corrosive environments



Size (D)	B	M	A	F	L	O	G	GL	Static load C ₀ kN	Dynamic load C kN	Limiting speed rev/min	Weight g
3 ¹⁾	6	4,50	14	26	33	5,1	M 3	15	7,0	1,8		6
5 ¹⁾	8	6,00	18	33	42	7,7	M 5	20	6,2	3,3		13
6	9	6,75	20	36	46	8,9	M 6	22	8,8	4,3	1500	20
8	12	9,00	24	42	54	10,4	M 8	25	16,1	7,1	1200	33
10	14	10,50	28	48	62	12,9	M 10	29	25,5	10,0	1000	56
12	16	12,00	32	54	70	15,4	M 12	33	34,5	13,5	860	87
14	19	13,50	36	60	78	16,8	M 14	38	39,5	17,0	750	129
16	21	15,00	42	66	87	19,3	M 16	40	60,5	21,5	660	189
18	23	16,50	46	72	95	21,8	M 18x1,5	44	73,0	26,0	600	267
20	25	18,00	50	78	103	24,3	M 20x1,5	47	83,0	31,5	540	348
22	28	20,00	54	84	111	25,8	M 22x1,5	51	100,0	38,0	500	443
25	31	22,00	60	94	124	29,6	M 24x2	58	118,0	47,0	440	600
30	37	25,00	70	110	145	34,8	M 30x2	71	155,0	64,0	370	1030
35	43	28,00	80	125	165	37,7	M 36x2	73	191,0	80,0	330	1600
40	49	35,00	90	142	187	44,2	M 42x2	78	235,0	116,0	290	2570

Materials:

Housing: Stainless steel to 1.4057, Aisi 431, forged, polished, size 40 made from stainless steel to 1.4057, Aisi 431, turned

Insert: Special high strength bronze to CuSn8

Ball: Bearing steel to 100Cr6, Aisi 52100, hardened, ground, polished, hard chrome plated

On request: The ball can be made from stainless steel to 1.4034, Aisi 420C, hardened, ground, polished or to 1.4401, Aisi 316, ground, polished

This series is also available sealed (see page 38) or with threaded bolt (see page 39).

¹⁾ without lubrication fitting