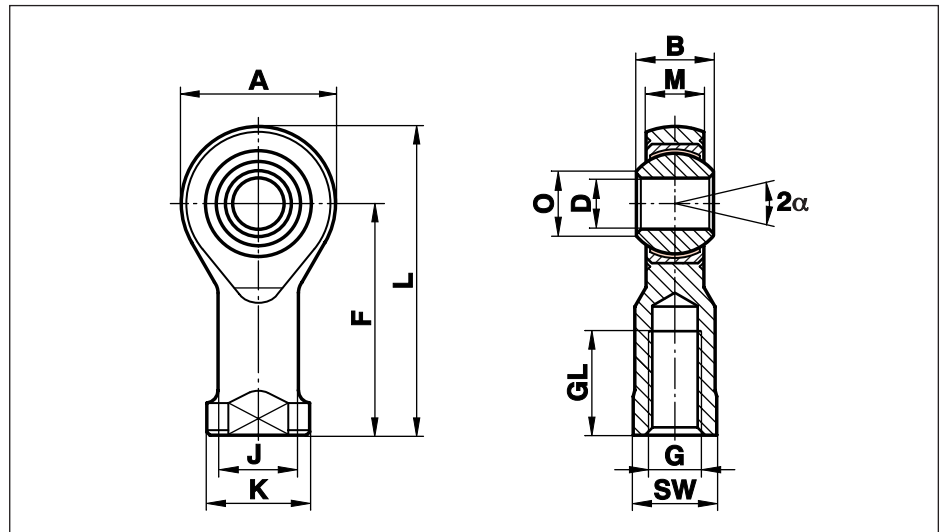


Rod Ends Series K - Stainless, Maintenance Free

Series GIRSW

Rod Ends with female thread made from stainless steel with PTFE liner, maintenance free

For use at high dynamic pressure and tension loads in corrosive environments



Size (D)	B	M	A	F	L	K	J	O	SW	G	GL	Static load C ₀ kN	Dynamic load C kN	Limiting speed rev/min	Weight g
4 ¹⁾	7	5,25	14	24	31	9,5	7,8	6,5	8	M 4	12	2,7	0,8	∅∅∅∅	11
5	8	6,00	18	27	36	11,0	9,0	7,7	9	M 5	10	11,8	7,5	600	18
6	9	6,75	20	30	40	13,0	10,0	8,9	11	M 6	12	13,1	9,3	530	27
8	12	9,00	24	36	48	16,0	12,5	10,4	13	M 8	16	20,7	16,7	420	46
10	14	10,50	28	43	57	19,0	15,0	12,9	17	M 10	20	28,3	23,4	350	76
12	16	12,00	32	50	66	22,0	17,5	15,4	19	M 12	22	34,5	32,0	300	115
14	19	13,50	36	57	75	25,0	20,0	16,8	22	M 14	25	39,5	42,0	260	170
16	21	15,00	42	64	85	27,0	22,0	19,3	22	M 16	28	60,5	52,5	230	230
18	23	16,50	46	71	94	31,0	25,0	21,8	27	M 18x1,5	32	73,0	64,0	210	320
20	25	18,00	50	77	102	34,0	27,5	24,3	32	M 20x1,5	33	83,0	78,0	190	415
22	28	20,00	54	84	111	37,0	30,0	25,8	32	M 22x1,5	37	100,0	97,0	170	540
25	31	22,00	60	94	124	42,0	33,5	29,6	36	M 24x2	42	118,0	122,0	150	750
30	37	25,00	70	110	145	50,0	40,0	34,8	41	M 30x2	51	155,0	168,0	130	1130
35	43	28,00	80	125	165	58,0	46,0	37,7	50	M 36x2	56	191,0	206,0	110	1600
40	49	35,00	90	142	187	69,0	57,0	44,2	60	M 42x2	60	235,0	286,0	100	2770

only for short-term revolutions recommended

Materials:

Housing: Stainless steel to 1.4057, Aisi 431, forged, polished, size 40 turned from stainless steel to 1.4057, Aisi 431

Insert: Special high strength bronze to CuSn8 with PTFE liner bonded to the inner surface

Ball: Bearing steel to 100Cr6, Aisi 52100, hardened, ground, polished, hard chrome plated

On request: Insert: Stainless steel to 1.4571, Aisi 316Ti
Ball: Stainless steel to 1.4034, Aisi 420C hardened, ground, polished or in stainless steel to 1.4401, Aisi 316 ground, polished

This series is also available sealed (see page 38) or with threaded bolt (see page 39).

Cetop connections see page 40.

¹⁾ Size 4 on request. Housing turned from stainless steel to 1.4305, Aisi 303.