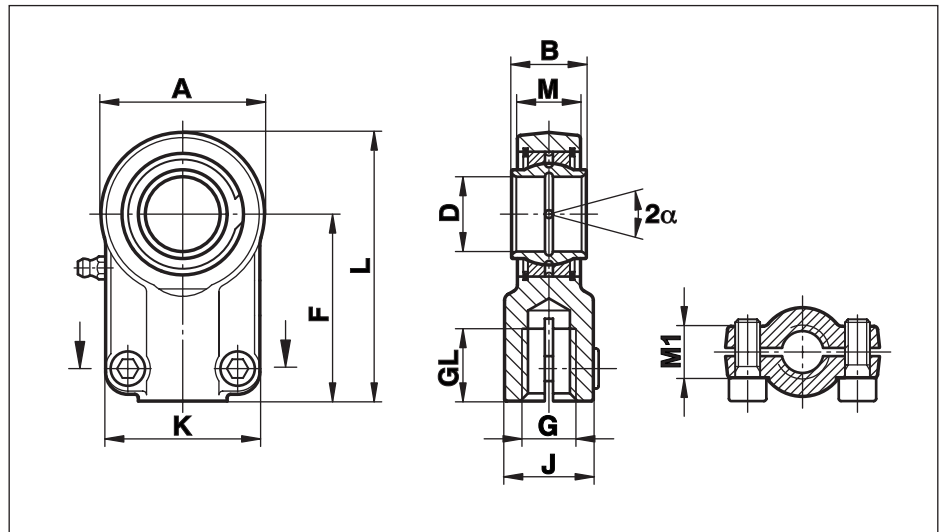


# Hydraulic Rod Ends to DIN 24338/ISO 6982

## Series FPR...CE

Rod Ends Cetop, recommendation RP 58H for standard Hydraulic Cylinders, fastened by hexagon socket head cap screws to DIN 912-8.8. Spherical Plain Bearings, regreasable, fixed with snap rings

Mounting dimensions to DIN 24333-24336 and ISO 6020/1, ISO 6022



| Size (D) | B   | M     | M1    | A     | F   | L     | K   | J   | G         | GL  | Torque Nm | Static load C <sub>0</sub> kN | Dynamic load C kN | Pivoting angle | Weight g |
|----------|-----|-------|-------|-------|-----|-------|-----|-----|-----------|-----|-----------|-------------------------------|-------------------|----------------|----------|
| 12       | 12  | 11,0  | 15,0  | 32,0  | 38  | 54,0  | 32  | 16  | M 12x1,25 | 17  | 6         | 24,5                          | 10,8              | 4              | 100      |
| 16       | 16  | 13,8  | 15,0  | 40,0  | 44  | 64,0  | 40  | 21  | M 14x1,5  | 19  | 10        | 36,5                          | 17,6              | 4              | 210      |
| 20       | 20  | 17,8  | 18,7  | 47,0  | 52  | 75,0  | 47  | 25  | M 16x1,5  | 23  | 25        | 48,0                          | 30,0              | 4              | 350      |
| 25       | 25  | 21,9  | 19,0  | 58,0  | 65  | 96,0  | 54  | 30  | M 20x1,5  | 29  | 25        | 78,0                          | 48,0              | 4              | 620      |
| 32       | 32  | 27,9  | 22,0  | 71,0  | 80  | 118,5 | 66  | 38  | M 27x2    | 37  | 49        | 114,0                         | 67,0              | 4              | 1170     |
| 40       | 40  | 33,0  | 26,0  | 90,0  | 97  | 146,1 | 80  | 47  | M 33x2    | 46  | 49        | 204,0                         | 100,0             | 4              | 2150     |
| 50       | 50  | 41,0  | 32,0  | 109,0 | 120 | 179,6 | 96  | 58  | M 42x2    | 57  | 86        | 310,0                         | 156,0             | 4              | 4400     |
| 63       | 63  | 53,0  | 38,0  | 132,0 | 140 | 211,6 | 114 | 70  | M 48x2    | 64  | 210       | 430,0                         | 255,0             | 4              | 7600     |
| 70       | 70  | 57,0  | 42,0  | 155,0 | 160 | 245,0 | 135 | 80  | M 56x2    | 81  | 210       | 540,0                         | 315,0             | 4              | 10100    |
| 80       | 80  | 67,0  | 48,0  | 169,3 | 180 | 270,6 | 148 | 90  | M 64x3    | 86  | 410       | 695,0                         | 400,0             | 4              | 14500    |
| 90       | 90  | 72,0  | 52,0  | 185,0 | 195 | 296,0 | 160 | 100 | M 72x3    | 91  | 410       | 750,0                         | 490,0             | 4              | 17500    |
| 100      | 100 | 85,0  | 62,0  | 211,4 | 210 | 322,7 | 178 | 110 | M 80x3    | 96  | 710       | 1060,0                        | 610,0             | 4              | 28000    |
| 110      | 110 | 88,0  | 62,0  | 235,0 | 235 | 364,0 | 190 | 125 | M 90x3    | 106 | 710       | 1200,0                        | 655,0             | 4              | 32000    |
| 125      | 125 | 103,0 | 72,0  | 263,5 | 260 | 405,7 | 200 | 135 | M 100x3   | 113 | 710       | 1430,0                        | 950,0             | 4              | 46400    |
| 160      | 160 | 130,0 | 82,0  | 326,0 | 310 | 488,0 | 250 | 165 | M 125x4   | 126 | 710       | 2200,0                        | 1370,0            | 4              | 81000    |
| 200      | 200 | 162,0 | 102,0 | 418,0 | 390 | 620,0 | 320 | 215 | M 160x4   | 161 | 1500      | 3650,0                        | 2120,0            | 4              | 174000   |

## Materials:

Housing: up to size 63 forged from heat-treated steel to C45, Aisi 1045, from size 70 made from nodular cast iron GS 400

Bearing: Steel on steel bearing GE...LO, requiring lubrication

Greasing: size 12 is not regreasable, from size 16 fitted with hydraulic grease nipples to DIN 71412