

# Resistance thermometer Surface sensor with ring shape Series GF-7129

## PRODUCT FEATURES

- ✓ Resistance thermometer acc. to DIN EN 60751
- ✓ High precision platinum sensor
- ✓ High precision measuring system
- ✓ Single / double measuring system
- ✓ Vibration resistant design
- ✓ High temperature resistance
- ✓ Durable
- ✓ Process and fail safe
- ✓ Temperature and long-term stable
- ✓ ATEX version
- ✓ FDA / CE compliant version

## TECHNICAL DETAILS

### Core values

PT50/PT100/PT500/PT1000  
KTY/NTC/PTC

### Segment measures

Standard Ø16 x 5 mm

### Leitungsabgang

Segment leicht abgewinkelt 5°

### Material

Stainless steel or brass

### Kink protection spring

Stainless steel

### Process temp. at the measuring tip

Up to +450°C depending on version

### Process connection

Plan or with borehole for M6 screw  
Further versions on request

### High - quality cable types

Connection cables  
All available versions

### Connectivity

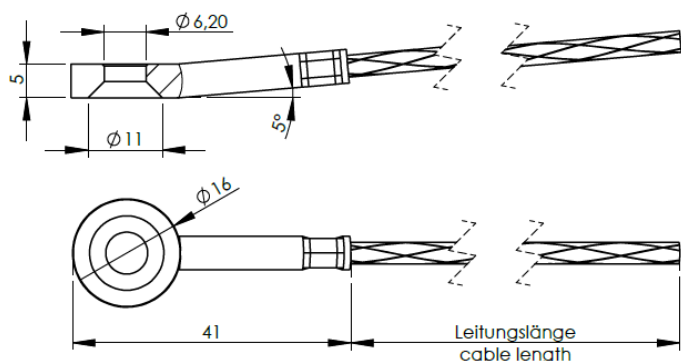
Free ends, plug, special

### Special version

Customized, on request

<b>Standard version</b>										
	GF-7129									
<b>Special version</b>										
Standard version without mention										
Mantle-thermocouple version /7150										
<b>Number of measuring systems</b>										
1 x		1								
2x		2								
<b>Core values measuring system</b>										
PT100 Class B		n/a								
PT100 Class A		K1.A								
PT100 Class AA		K1.AA								
PT50/PT500/KTY/NTC/PTC + Type		KTY								
Further versions on request										
<b>Types of electrical circuits</b>										
2-wire-circuit		n/a								
3-wire-circuit		3-L								
4-wire-circuit		4-L								
Further versions on request										
<b>Diameter of the measuring tip</b>										
Standard Ø16 x 5 mm		16								
Further versions on request										
<b>Mounting borehole size</b>										
Standard M6		M6								
M5		M5								
Further versions on request										
<b>Cable length in mm</b>										
Mention in mm		XXXX								
<b>Cable type</b>										
Glass fiber - Glass fiber - stainless steel braid							without mention			
Glass fiber - Glass fiber - stainless steel braid - PTFE							GL-GL-PVA-TE			
R - Glass fiber - R - Glass fiber - stainless steel braid							RGL-RGL-PVA			
Check cable types										
<b>Connection</b>										
Free Ends, 60 mm							A			
Check ends							PRF			
LEMO plug + size + number of poles							LST2PS			
Round plug screw lock + size + number of poles							DST3PS			
M 12 Round plug + number of poles							EST-M12-4P			
Check plug types										
<b>Temperature measuring tip</b>										
Mention in °C									400°C	
<b>Order code (example)</b>	→	GF-7129	1	K1.A	-.	16	M6	3000.	A	400°C

MEASURES





**DIGITAL DATA**  
2D, 3D and CAD

to Download