

Thermocouple with bayonet lock and immersion sleeve Series GF-7040

PRODUCT FEATURES

- ✓ Thermocouples acc. to DIN EN 60584
- ✓ High precision thermo cable
- ✓ High precision measuring system
- ✓ Single / double measuring system
- ✓ Electrical isolated or not isolated
- ✓ Pure silver interior design
- ✓ Durable
- ✓ Process and failsafe
- ✓ Temperature and long term stable
- ✓ ATEX version
- ✓ FDA / CE compliant version

TECHNICAL DETAILS

Thermo voltage

Fe-CuNi/J-L, NiCr-Ni/K, Pt-RhPt/S-R

Diameter

Immersion sleeve in standard
8,0 mm / 10,0 mm, Sensor in standard
-2,0 mm to immersion sleeve diameter

Design of the measuring tip/immersion sleeve

Plan, closed

Installation length

Min. 10 mm up to max. 2000 mm

Material

Sensor/immersion sleeve
Completely made of stainless steel

Process temp. at the measuring tip

Up to +600°C depending on version

Process connection

Using a matching immersion sleeve
Sensor with bayonet connection

High – quality cable types

Thermocouple cables
All available versions

Connectivity

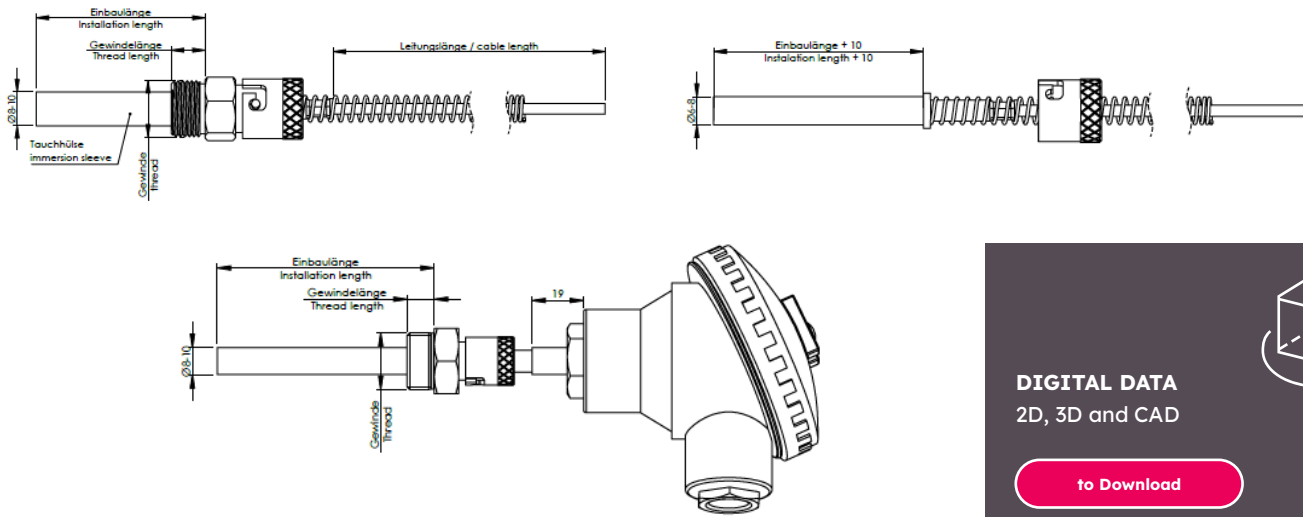
Free ends, plug, special

Special version

Customized, on request

Standard version										
	GF-7040									
Number of measuring systems										
1x		1								
2x		2								
Type of element										
Fe-CuNi Type J			FK-J							
Fe-CuNi Type L			FK-L							
Fe-CuNi Type K			NC							
Check element selection										
Electrical properties										
Grounded			e							
Isolated			i							
Diameter sensor/immersion sleeve										
6/8 mm				6/8						
8/10 mm				8/10						
Mention in mm										
Measuring tube form										
Angled 118°					W					
Plan					P					
Spherical					B					
Special version										
Installation length										
50 mm						50				
Mention in mm										
Thread size immersion sleeve										
Without immersion sleeve										
G1/8						45				
G3/8						44				
G1/2						82				
Further thread sizes on request										
Version with connection head										
Without connection head (version with cable)								-.		
BK-connection head								BK		
KK-connection head								KK		
Further head sizes on request										
Cable length in mm										
mention in mm								XXXX		
Cable type										
Glass fiber - Glass fiber – stainless steel braid									without mention	
Glass fiber - Glass fiber – stainless steel braid - PTFE									GL-GL-PVA-TE	
R - Glass fiber - R - Glass fiber – stainless steel braid									RGL-RGL-PVA	
Check cable types										
Connection										
Free Ends, 60 mm										
Check ends									A	
Thermo plug „S“ Standard / „M“ Mini									PRF	
Round plug bayonet lock									TSTXS	
Round plug screw lock									CST3PB	
Check plug types										
Temperature measuring tip										
Mention in °C										
400°C										
Order code (example) → GF-7040 1 FK-J. e. 8/10. P. 50. 82. KK. -. . 400°C										

MEASURES



DIGITAL DATA
2D, 3D and CAD

[to Download](#)