



Size 17

The smallest size of the DryLin® N range is designed to have minimum dimensions coupled with a high load capacity. In addition, this range is free from lubrication and can run at high speeds.

- Railwidth 17 mm
- Installation height 6 mm
- 100% lubrication-free
- Preload possible

DryLin® N

Phone +49 - 22 03 - 96 49-145
Fax +49 - 22 03 - 96 49-334

igus® GmbH
51147 Cologne

Internet www.igus.de
E-mail info@igus.de

62.6



Standard



Preload



Floating



Double carriage with threaded pin

Structure of the Part No. for assembled systems:

NK -02 -17 -02 -500 LLZ C5 = 20

Assembled System

Type of carriage

- 02 with thread
- 22 with threaded pin, double carriage

Size

17 = 17 mm rail width

No. of carriages

Length of rail in mm

Carriage options

- Leave blank: Standard
- LLZ: Floating z-direction
- LLY: Floating y-direction
- LLYZ: Floating y- and z-direction
- P: Preload (max. 1 N)

Rail options

- Leave blank: Standard with holes
- UNGEBOHRT: Without holes
- C5 = ... mm: If hole spacing is not symmetrical



DryLin® NK-02/22-17 | Low-Profile Linear Guide



Data, version 02:

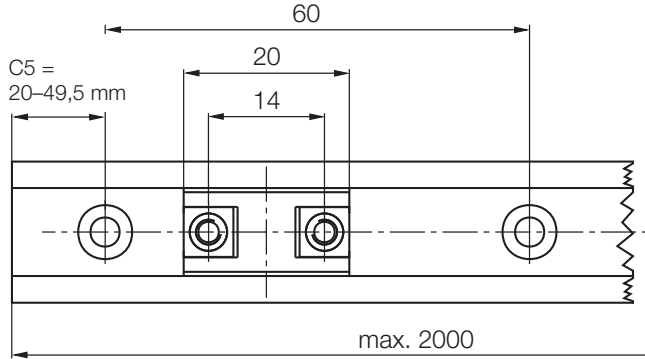
Part No. carriage	NW-02-17
Part No. rail	NS-01-17
Carriage weight	150 g/m
Schlittengewicht	1,7 g
Max. rail length	2000 mm
Standard bore pattern	symmetrical (C5 = C6)
Preload available	1 N



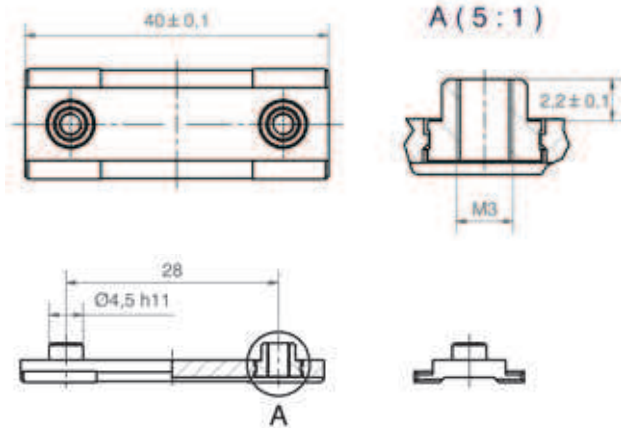
Data, version 22:

Part No. carriage	NW-22-17-40
Part No. rail	NS-01-17
Carriage weight	150 g/m
Schlittengewicht	2,6 g
Max. rail length	2000 mm
Standard bore pattern	symmetrical (C5 = C6)

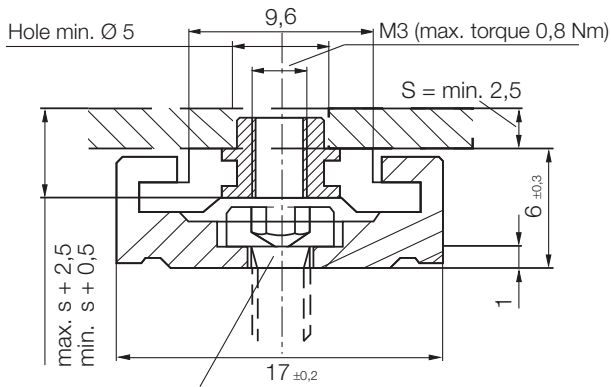
Version 01: Carriage with mounting hole



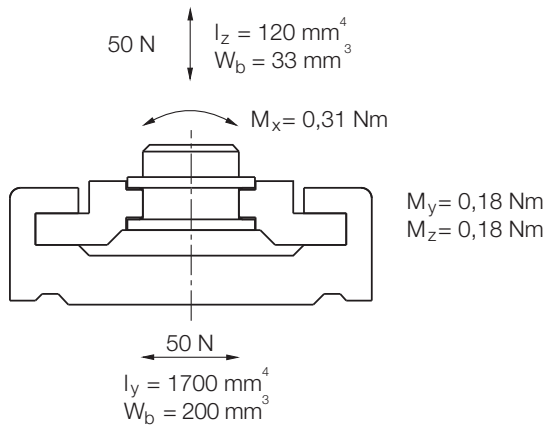
Version 02: Double carriage with threaded pin



Static load-bearing and geometric moment of inertia



DIN 7984/DIN 6912/DIN 84
EN ISO 1707
for machine screws M3



DryLin® N

Phone +49 - 22 03 - 96 49-145
Fax +49 - 22 03 - 96 49-334

