

Special properties:

- Dimensions to the imperial standard
- Very low coefficients of friction in the dry run
- Very good wear resistance
- Maintenance-free dry run
- Vibration dampening
- Very low moisture absorption
- Very good chemicals
- Suitable for rotating, oscillating, and linear movements

* According to igus® testing method
▶ Page 64.67



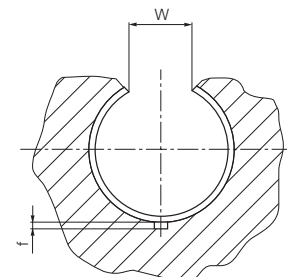
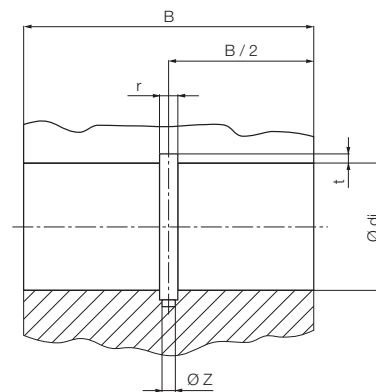
Dimensions [Inch]

Part No.	Ø Shaft [Inch]	Tolerance* [Inch]	d2 [inch]	b1 [inch]	W [inch]	r [inch]	t [inch]	z [inch]
						-0,004 -0,008	-0,004	-0,020
JUIO-01-08	1/2	0,0016-0,0024	0,5934	1,22	0,394	0,1250	0,0391	0,1024
JUIO-01-10	5/8	0,0016-0,0024	0,7184	1,46	0,433	0,1406	0,0391	0,1181
JUIO-01-12	3/4	0,0016-0,0024	0,8747	1,575	0,492	0,1875	0,0391	0,1339
JUIO-01-16	1	0,0016-0,0024	1,1247	2,205	0,630	0,1875	0,0391	0,1496
JUIO-01-20	1 1/4	0,0020-0,0032	1,4058	2,579	0,709	0,1875	0,0391	0,1496
JUIO-01-24	1 1/2	0,0020-0,0032	1,6558	2,953	0,866	0,2500	0,0625	0,1811
JUIO-01-32	2	0,0024-0,0040	2,1871	3,937	1,181	0,2813	0,0625	0,2280

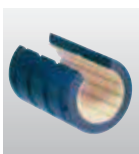
Installation Drawings

Housing Bore, Dimensions [Inch]

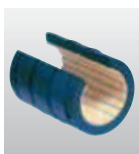
Part No.	Shaft Size Ø	di [inch]	B [inch]	r [inch]	t [inch]	f [inch]	z [inch]	W [inch]
		H7 Min. Max.	h10	+0,002	+0,004	+0,02	+0,008	+0,008
JUIO-01-08	1/2	,5940 ,5934	1,26	,1250	,031	,059	,122	0,394
JUIO-01-10	5/8	,7190 ,7184	1,42	,1406	,031	,067	,142	0,433
JUIO-01-12	3/4	,8755 ,8747	1,77	,1875	,031	,079	,142	0,492
JUIO-01-16	1	1,1255 1,1247	2,28	,1875	,031	,079	,161	0,630
JUIO-01-20	1 1/4	1,4068 1,4058	2,68	,1875	,031	,079	,161	0,709
JUIO-01-24	1 1/2	1,6568 1,6558	3,15	,2500	,051	,089	,200	0,866
JUIO-01-32	2	2,1881 2,1871	3,94	,2813	,051	,098	,240	1,181



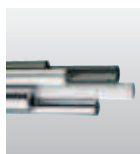
Liner of series JUIO-01 are used in:



OJUI-01:
▶ P. 64.52



OJUI-03:
▶ P. 64.53



Shafts from
▶ Chapter 65

DryLin® R

Inch

Phone +49 - 22 03 - 96 49-145
Fax +49 - 22 03 - 96 49-334

