

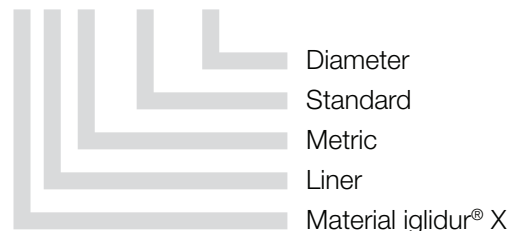
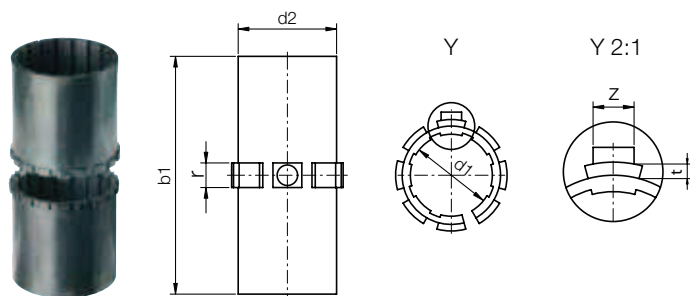
drylin® R Linear | Product Range

Closed, long design, high temperature



Order key

XUM-01-12



- Temperatures from -100 to +250 °C
- Recommended in combination with stainless steel or chrome-plated shafts
- 2-parts



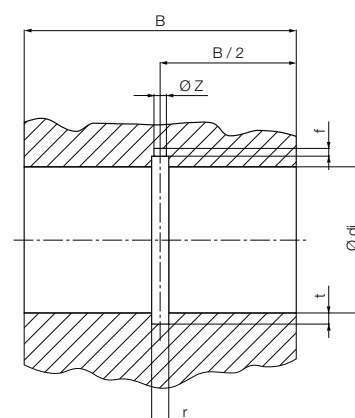
* according to igus® testing method ► page 925
Please note: Installation instructions ► page 877

Dimensions [mm]

Part number	d1	Tolerance*	d2	b1	r	t	z	Weight [g]
XUM-01-12	12	+0.030 +0.070	14	31	3.0	0.8	3.0	1.46
XUM-01-14	14	+0.030 +0.070	16	30	3.5	0.6	3.5	1.81
XUM-01-16	16	+0.030 +0.070	18	35	3.5	0.8	3.5	2.13
XUM-01-20	20	+0.030 +0.070	23	44	5.0	0.8	3.5	4.7
XUM-01-25	25	+0.030 +0.070	28	57	5.0	0.8	4.0	8.27
XUM-01-30	30	+0.040 +0.085	34	67	5.0	0.8	4.0	15.57
XUM-01-40	40	+0.040 +0.085	44	79	6.0	1.3	5.0	24.0

Installation Drawings Housing Bore for XUM-01 | Dimensions [mm]

Part number	Shaft	di	B	r	t	f	z
	Ø	H7	h10	+0.05	+0.1	+0.5	+0.2
XUM-01-12	12	14	32	3.0	1.0	1.5	3.1
XUM-01-14	14	16	31	3.	0.8	1.7	3.6
XUM-01-16	16	18	36	3.5	1.0	1.7	3.6
XUM-01-20	20	23	45	5.0	1.0	2.0	3.6
XUM-01-25	25	28	58	5.0	1.0	2.0	4.1
XUM-01-30	30	34	68	5.0	1.0	2.0	4.1
XUM-01-40	40	44	80	6.0	1.5	2.5	5.1



Can be combined with:



RJUM-01/-03
TJUM-01/-03



RJUM-06/-06-LL



FJUM-01/-02



delivery from stock
time



prices price list online
www.igus.eu/eu/drylinR