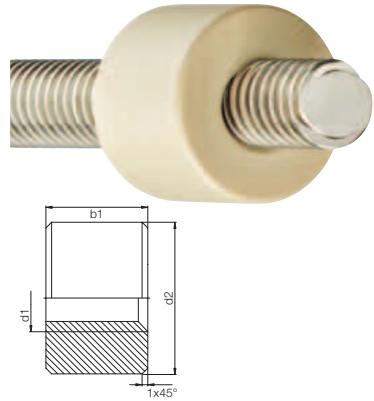
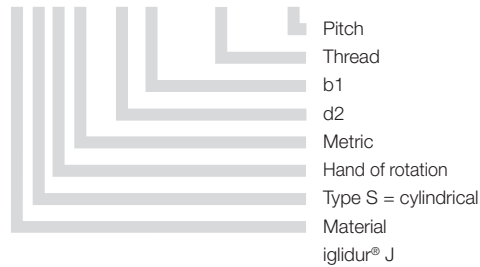


Two-start drylin® lead screw nuts, cylindrical, made from iglidur® J, right-hand thread
iglidur® J – Best wear in dry operation



Order key

JSRM-2624TR12x6P3



Dimensions [mm]

Part number	Effective supporting surface [mm ²]	d2	b1	Thread d1 x P	max. stat. F axial [N]
JSRM-2624TR12x6P3 New!	395	26	24	TR12x6P3	1,343
JSRM-3024TR12x6P3 New!	395	30	24	TR12x6P3	1,343
JSRM-3024TR16x8P4 New!	527	30	24	TR16x8P4	1,792
JSRM-3632TR16x8P4 New!	752	36	32	TR16x8P4	2,557
JSRM-4036TR18x8P4 New!	904	40	36	TR18x8P4	3,074
JSRM-4540TR20x8P4 New!	1,130	45	40	TR20x8P4	3,842



Definition: two-start lead screw nuts
Example 8P4 pitch



P4 = Distance to the next thread 4 mm

8P = Pitch 8 mm

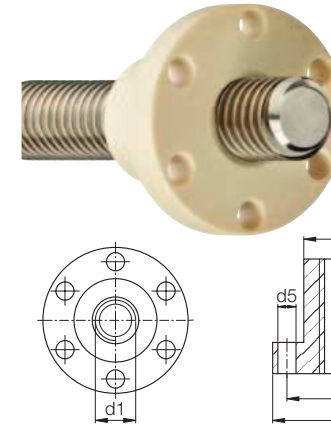


delivery from stock
time



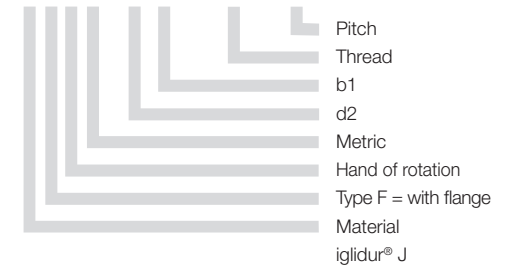
prices price list online
www.igus.eu/eu/jsrm-p

Two-start drylin® lead screw nuts with flange, made from iglidur® J, right-hand thread
iglidur® J – Best wear in dry operation



Order key

JFRM-2835TR12x6P3



Dimensions [mm]

Part number	Effective supporting surface [mm ²]	d2	d3	d4	d5	b1	b2	Thread d1 x P	max. stat. F axial [N]
JFRM-2835TR12x6P3 New!	576	28	48	38	6	35	12	TR12x6P3	1,958
JFRM-2835TR16x8P4 New!	768	28	48	38	6	35	12	TR16x8P4	2,611
JFRM-2835TR18x8P4 New!	878	28	48	38	6	35	12	TR18x8P4	2,985
JFRM-3244TR20x8P4 New!	1,242	32	55	45	7	44	12	TR20x8P4	4,223



delivery from stock
time



prices price list online
www.igus.eu/eu/jfrm-p