

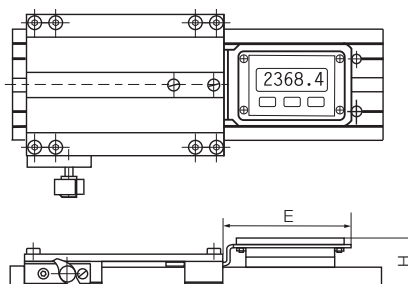
DryLin® W | Digital cable-free measuring systems WKM

The DryLin® WKM measuring systems are battery powered. The integrated battery guarantees a perennial operating time. Thereby a virtually absolute distance measurement is possible. Magnetic tapes serve as standard. The position value is displayed by means of 5-digit LC display.

Special properties

- **Measuring principle:** magnetic with magnetic tape (10 x 1.4 mm)
- **Resolution:** 0.1 mm
- **Accuracy:** $\pm (0.1 + 0.01 \times \text{measured length [m]})$ mm
- **Service life:** 5 years at 100% switch-on time
- **Operation temperature:** +0 °C to +60 °C
- **Display:** LCD
- **Repeat accuracy:** ± 1 Digit
- **Absolute and incremental measuring method**
- **Flexible and mobile use**
- **Variable zero point**
- **Carriage clampable via friction closure**
- **Display optionally right (R) or left (L) of guide carriage**

Type series WKM-10 and -20

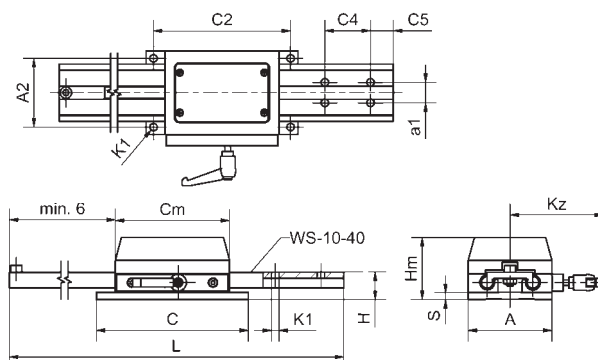


For the type series 10 and 20 the rails are fixed and the measuring carriage is movable.

Dimensions [mm]

Part No.	For DryLin® dimension ▶ Page 63.9	H [mm]	E [mm]
WKM-10-80-15-01-L	WK-10-80-15-01	36	93
WKM-10-80-15-01-R	WK-10-80-15-01	36	93
WKM-20-80-15-01-L	WK-20-80-15-01	40	93
WKM-20-80-15-01-LR	WK-20-80-15-01	40	93

Type series WKM-11



For the type series 11, the carriage is fixed with 4 screws. The rail is movable and offers connectivity at the rail end.

Dimensions [mm]

Part No.	L	C4	C5	a1	C2	A2	K1	C	A	H	S	Cm	Hm	kz
	Max.													
	[mm]	[mm]	[mm]	[mm]	[mm]	[mm]	[mm]	[mm]	[mm]	[mm]	[mm]	[mm]	[mm]	[mm]
WKM-11-40	2000	40	20	18	120	80	8,6	133	73	24	8	100	54	82

