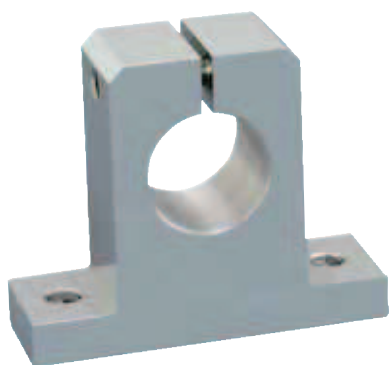


**Besondere Eigenschaften**

- Material: Aluminium
- ab Lager lieferbar

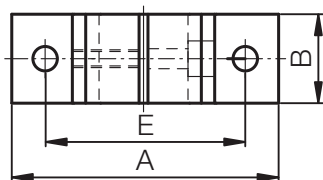
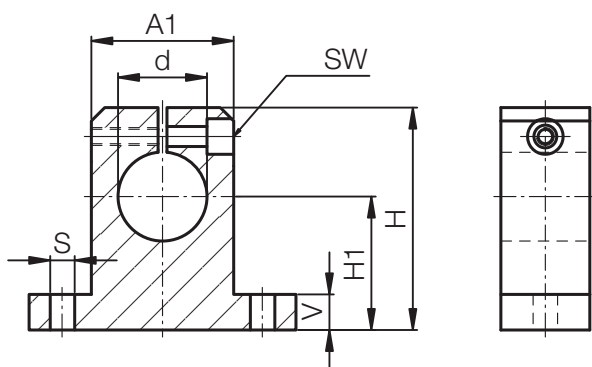


mm

DryLin®-Wellen

Telefon (0 22 03) 96 49-145
 Telefax (0 22 03) 96 49-334

igus® GmbH
 51147 Köln

**Abmessungen [mm]**

WAS-Wellenbock

Bestellnr.	d [mm]	H [mm]	H1 [mm]	A [mm]	A1 [mm]	B [mm]	E [mm]	S [mm]	V [mm]	SW [mm]	Gewicht [kg]
			±0,02								
WAS-08	8	27	15	32	16	10	25	4,5	5,0	2,5	0,012
WAS-12	12	35	20	42	20	12	32	5,5	5,5	3,0	0,023
WAS-16	16	42	25	50	26	16	40	5,5	6,5	3,0	0,035
WAS-20	20	50	30	60	32	20	45	5,5	8,0	4,0	0,067
WAS-25	25	58	35	74	38	25	60	6,6	9,0	4,0	0,140
WAS-30	30	68	40	84	45	28	68	9,0	10,0	5,0	0,200
WAS-40	40	86	50	108	56	32	86	11,0	12,0	6,0	0,480

Internet: www.igus.de
 E-Mail: info@igus.de

65.16