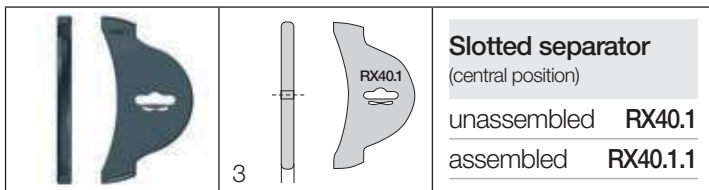
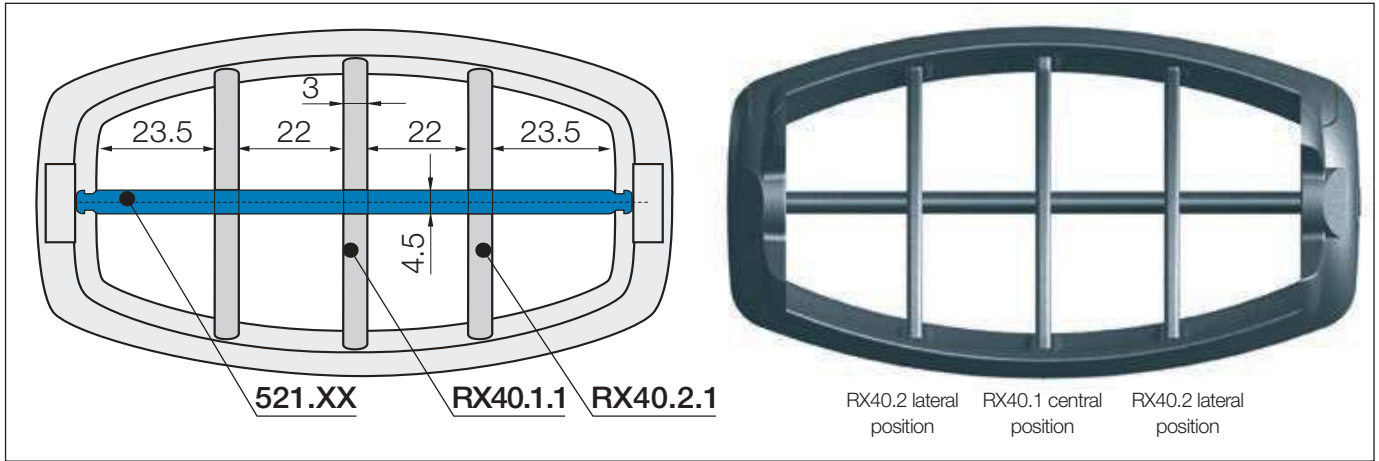
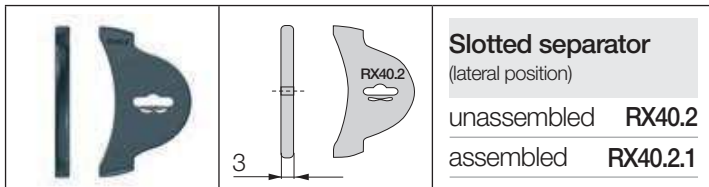


Interior separation



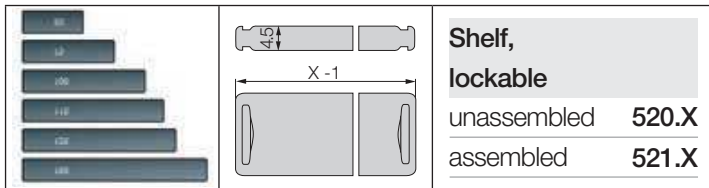
Slotted separator
(central position)

unassembled **RX40.1**
assembled **RX40.1.1**



Slotted separator
(lateral position)

unassembled **RX40.2**
assembled **RX40.2.1**



Shelf,
lockable

unassembled **520.X**
assembled **521.X**

Vertical separation - slotted separators:

RX40.1 (central position)

RX40.2 (lateral position)

Vertical separation of the large interior space using cable-friendly, polymer separators. Due to their slots, basic vertical and horizontal shelving arrangements are possible. As standard igus® separators should be fitted every 2nd e-chain® link.

Horizontal separation

Full-width shelf locks securely into separators at both ends, giving a fixed width. Can be used as full-width or partial shelf.



Shelves

Width = X [mm]

X [mm]	unassembled	assembled	X [mm]	unassembled	assembled
029	520.29	521.29	079	520.79	521.79
054	520.54	521.54	104	520.104	521.104