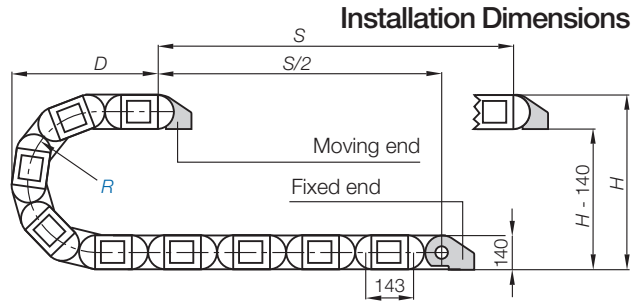


Pitch = 143 mm Links per m = 7 Chain length = $\frac{S}{2} + K$

R	200	250	300	350	400	450	500	550	600
H	545	645	747	845	945	1045	1145	1245	1345
D	415	465	515	565	615	665	715	765	815
K	920	1080	1240	1400	1560	1720	1870	2020	2175

The required clearance height is $H_f = H + 100$ mm (with 5,0 kg/m fill weight). Please consult igus® if space is particularly restricted.

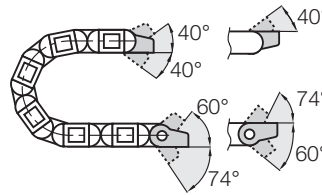
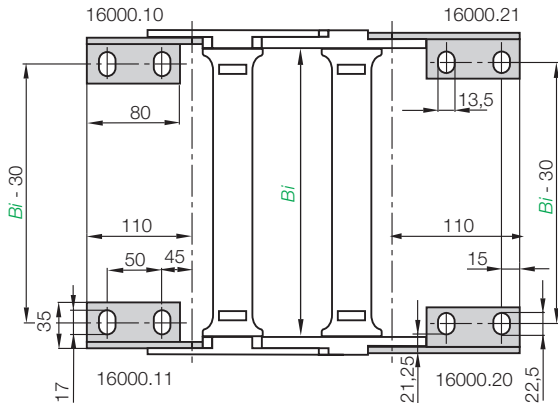


Moving end
16000.2

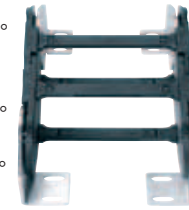
Fixed end
16000.1

Moving end
16000.2

Mounting Brackets



Fixed end
16000.1



Mounting bracket made of steel, 2-piece, pivoting

Note mounting brackets:

Depending on the E-Chain® length, the carrier will end with outer or inner side links. For the best appearance, make sure the chain ends with outer side link whenever possible. An odd number of links will always end with outer side links.

Part No.	Mounting bracket
16000.1.12	Full attachment set (both sides) for E-Chain®, ending with outer side link
16000.3.12	Full attachment set (both sides) for E-Chain®, beginning with outer side link (moving end), ending with inner side link (fixed end)
16000.2	Mounting bracket set moving end (one side) for outer side link
16000.1	Mounting bracket set fixed end (one side) for inner side link



Interior Separation
▶ next page



This E4 Series is a low-noise version



Extender cross-bars available



SnapClip for side-mounted E-Chains®

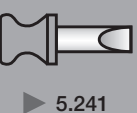
Additional Features

For more features
▶ see link below

112

System E4.1
Inner height: 112 mm

Phone +49- (0) 22 03-96 49-800
Fax +49- (0) 22 03-96 49-222



5.305