

SnapChain





Price index

iF-Design-Award
for SnapChain-Design

Typical industries and applications

- Switch cubicle construction
- Electrical equipment
- Computer cubicles
- Office furniture
- Wherever cables are moved
now and then



- ❶ Fit cable assemblies quickly in bunches
- ❷ Adjust and change loops at any time
- ❸ Well-suited to short lengths, ideally 5 - 10 links
- ❹ Favorable alternative to complex hinged cable trays
- ❺ Version TE can be opened along outer radius - Version TZ along inner radius
- ❻ Elegant design
- ❼ Can be bent in 1 or 2 directions
- ❽ Available in 2 sizes



When to use the SnapChain Series :

- If simple filling is required
- If an economical e-chain is required
- If small assembly cost is required
- If an easy solution is required
- For minor number of travels



When not to use it:

- High load applications
 - ▶ Easy Chain®, this chapter
 - ▶ Zipper, chapter 4
- High cycle applications
 - ▶ Easy Chain®, this chapter
 - ▶ Zipper, chapter 4



Order example complete E-Chain®

Please indicate chain-lengths or number of links Example: 1 m or 18 links

1 m TE26.120.100.0



E-Chain®

SnapChain - TE14 / TZ14 - to be opened

Part No.	R [mm]	Bending radii					
TE14.50.□.0*	028	038	048	075	100	125	
TZ14.50.□.0	028	038	048	075	100	125	

*Available as RBR (Reverse bending radius) Part No. TE14.50.Radius/Radius

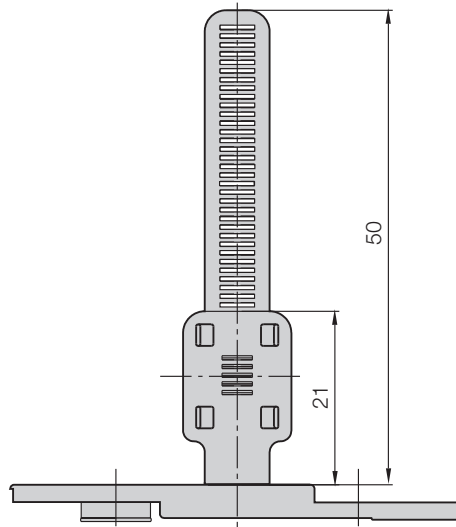
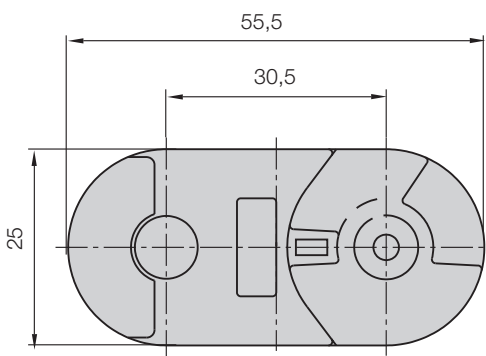
Supplement Part No. with required radius. Example: TE14.50.100.0

0 = standard color, other colors ▶ page 1.39 · Pitch = 30,5 mm/link - Links/m = 33

Pitch = 30,5 mm

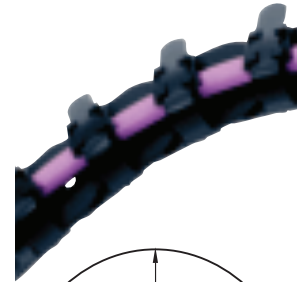
Links/m = 33 (1.006,5 mm)

Chain length = $S_2 + K$



Part No. structure

TE14. 50. 100.0



Cable package max.: 18 mm

SnapChain

Phone +49- (0) 22 03-96 49-800
Fax +49- (0) 22 03-96 49-222

SnapChain - TE26 / TZ26 - to be opened

Part No.	R [mm]	Bending radii					
TE26.120.□.0*	063	075	100	125	150	200	
TZ26.120.□.0	063	075	100	125	150	200	

*Available as RBR (Reverse bending radius) Part No. TE26.120.Radius/Radius

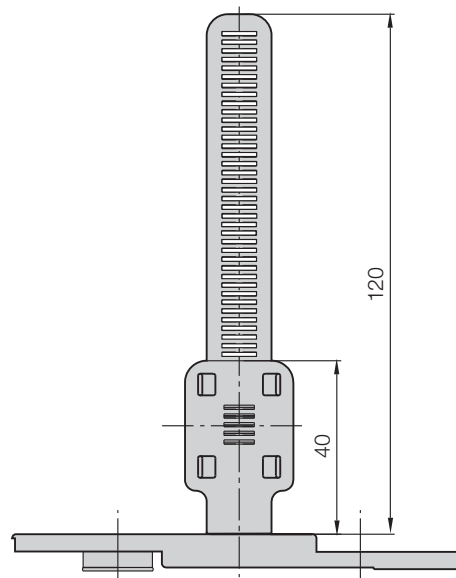
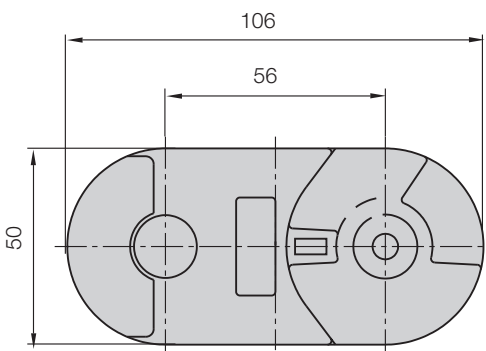
Supplement Part No. with required radius. Example: TE26.120.100.0

0 = standard color, other colors ▶ page 1.39 · Pitch = 56 mm/link - Links/m = 18

Pitch = 56 mm

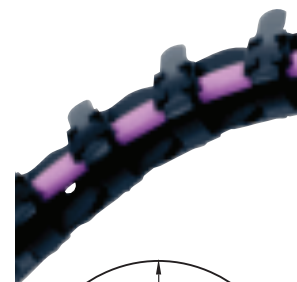
Links/m = 18 (1.008 mm)

Chain length = $S_2 + K$



Part No. structure

TE26.120.100.0



Cable package max.: 47 mm

