



# igubal® KA..I | Rod End Bearings | inch

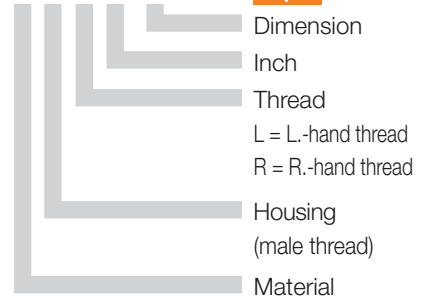
**KA..I**  
**inch**  
**Rod End Bearings**



Data in inches

Structure – part no.

**KA ... I-03**



Phone +49 - 22 03 - 96 49-145  
Fax +49 - 22 03 - 96 49-334

igus® GmbH  
51147 Cologne

Internet [www.igus.de](http://www.igus.de)  
E-mail [info@igus.de](mailto:info@igus.de)

51.22

## igubal® – Rod End Bearings:

- Maintenance-free, self-lubricating
- High strength under impact loads
- Very high tensile strength for varying loads
- Compensation for alignment errors
- Compensation for edge loads
- Resistant to dirt, dust and lint
- Resistant to corrosion and chemicals
- High vibration dampening capacity
- Suitable for rotating, oscillating, and linear movements
- Lightweight



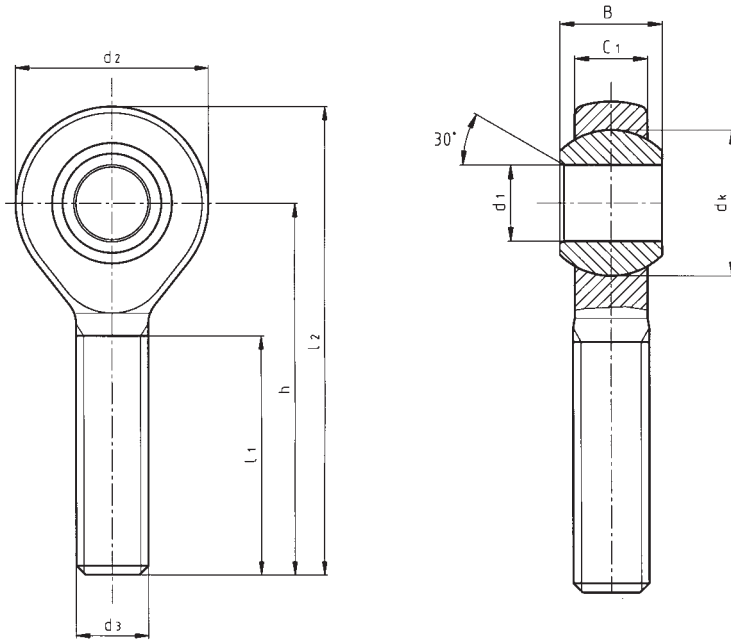
### Material

Housing: igumid G  
 ► Page 70.6  
 Spherical Bearing: iglidur® W300  
 ► Chapter 5

## Load Data

igubal® – Rod End Bearings KARI / KALI

Part Number		Max. static tensile strength		Max. radial load		Min. thread depth [inch]	Max. torque outside thread [Nm]	Max. torque through ball [Nm]
R.-hand thread	L.-hand thread	Short Term [N]	Long Term [N]	Short Term [N]	Long Term [N]			
KARI-03	KALI-03	390	200	70	35	,525	0,5	3
KARI-04	KALI-04	900	450	100	50	,700	1,0	4
KARI-05	KALI-05	1100	550	150	75	,875	2,0	10
KARI-06	KALI-06	1500	750	350	175	,875	3,0	15
KARI-07	KALI-07	2000	1000	400	200	,962	6,0	25
KARI-08	KALI-08	2500	1250	450	225	1,050	9,0	35
KARI-10	KALI-10	3500	1750	600	300	1,137	12,0	50
KARI-12	KALI-12	3900	1950	1000	500	1,226	25,0	70
KARI-16	KALI-16	4400	2200	1300	650	1,488	45,0	85



Rod End Bearings

KA..I

inch

Phone +49 - 22 03 - 96 49-145  
 Fax +49 - 22 03 - 96 49-334

**Dimensions [inch]**

igubal® – Rod End Bearings KARI / KALI

Part Number		d1 E10	d2	d3	C1	B	h	l1	l2	Max. pivot angle
R.-hand thread	L.-hand thread									
KARI-03	KALI-03	,1900	,625	10-32	,234	,312	1,250	,750	1,563	25°
KARI-04	KALI-04	,2500	,750	1/4-28	,250	,365	1,562	1,000	1,937	25°
KARI-05	KALI-05	,3125	,875	5/16-24	,312	,437	1,875	1,250	2,313	25°
KARI-06	KALI-06	,3750	1,000	3/8-24	,359	,500	1,938	1,250	2,438	22°
KARI-07	KALI-07	,4375	1,125	7/16-20	,406	,562	2,125	1,375	2,688	22°
KARI-08	KALI-08	,5000	1,312	1/2-20	,453	,625	2,428	1,500	2,094	22°
KARI-10	KALI-10	,6250	1,500	5/8-18	,484	,750	2,625	1,625	3,375	22°
KARI-12	KALI-12	,7500	1,750	3/4-16	,593	,875	2,875	1,750	3,750	22°
KARI-16	KALI-16	1,0000	2,750	1-12	1,000	1,375	4,125	2,350	5,500	20°

Available from stock

