



igubal® KARM CL | Rod End Bearings | mm

KARM CL
Rod End Bearings

Phone +49 - 22 03 - 96 49-145
Fax +49 - 22 03 - 96 49-334

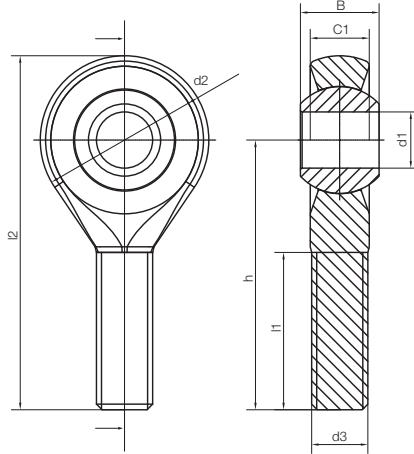
igus® GmbH
51147 Cologne

Internet www.igus.de
E-mail info@igus.de

51.12



(male thread)



Data in mm

Structure – part no
K A R M-10 CL



- 2nd Generation
- Dimension
- Metric
- Right-hand-thread
- Housing (male thread)
- Material

Special properties

- Smooth design has no dirt traps
- Compensation for alignment errors
- Light weight
- Excellent corrosion resistance
- Design with metal isleeve for higher torque strength available
- Left-hand thread version KALM in preparation
- Standard spherical bearing: iglidur® W300



Material

- Housing: igumid G
- ▶ Page 70.6
- Spherical Bearing: variable
- ▶ Page 57.3

Load Data

igubal® – Rod End Bearings KARM CL standard with spherical bearing made from iglidur® W300

Part Number	Maximum static tensile strength		Maximum radial load		Minimum thread depth [mm]	Max. torque strength outside thread [Nm]	Max. torque though Ball	
	short-term	long-term	short-term	long-term			standard	MH
	[N]	[N]	[N]	[N]			[Nm]	[Nm]
KARM-06 CL	1000	500	100	50	15	0,5	10	15
KARM-08 CL	1700	850	200	100	18	2,0	12	40
KARM-10 CL	2500	1250	300	150	20	5,0	20	50
KARM-12 CL	2700	1350	400	200	22	6,0	30	70

Dimensions [mm]

igubal® – Rod End Bearings KARM CL

Part Number	d1 E10	d2	d3	C1	B	h	l1	l2	Max. pivot angle
KARM-06 CL	6	20	M06	7,0	9,0	36	21	46	40°
KARM-08 CL	8	24	M08	9,0	12,0	42	25	55	35°
KARM-10 CL	10	30	M10	10,5	14,0	48	28	63	35°
KARM-12 CL	12	34	M12	12,0	16,0	54	32	71	35°

For rod end bearings with metal insert please add **MH** to the part number, e.g. KARM-10 CL **MH**.

For another spherical bearing material please add **J**, **R** or **X** to the part number, e.g. KARM-10 CL **J**.

Spherical bearing material to choose ▶ Page 57.3



RKM:
Low Cost



XKM: High
temperatures



JKM: Low
moisture absorption



standard spherical
bearing with metal sleeve

Lifetime calculation, CAD files and much more support ▶ www.igus.de/en/karm-cl