



igubal® KB..I | Rod End Bearings | inch

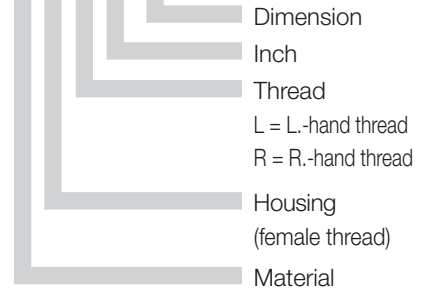
KB..I
inch
Rod End Bearings



Data in inches

Structure – part no.

K B ... I-03



Phone +49 - 22 03 - 96 49-145
Fax +49 - 22 03 - 96 49-334

igus® GmbH
51147 Cologne

Internet www.igus.de
E-mail info@igus.de

51.20

igubal® – Rod End Bearings:

- Maintenance-free, self-lubricating
- High strength under impact loads
- Very high tensile strength for varying loads
- Compensation for alignment errors
- Compensation for edge loads
- Resistant to dirt, dust and lint
- Resistant to corrosion and chemicals
- High vibration dampening capacity
- Suitable for rotating, oscillating, and linear movements
- Lightweight



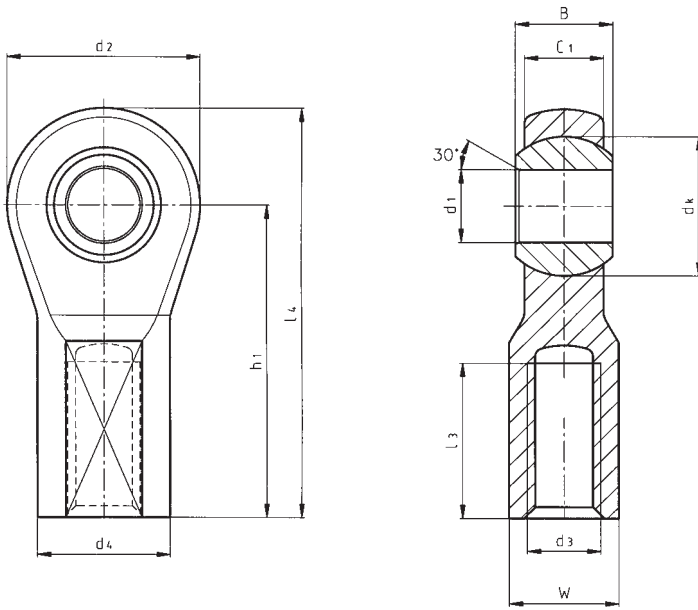
Material

Housing: igumid G
 ► Page 70.6
 Spherical Bearing: iglidur® W300
 ► Chapter 5

Load Data

igubal® – Rod End Bearings KBRI / KBLI

Part Number		Max. static tensile strength		Max. radial load		Min. thread depth [inch]	Max. torque outside thread [Nm]	Max. torque through ball [Nm]
R.-hand thread	L.-hand thread	Short Term [N]	Long Term [N]	Short Term [N]	Long Term [N]			
KBRI-03	KBLI-03	900	450	300	150	,350	2	3
KBRI-04	KBLI-04	1100	550	400	200	,480	5	4
KBRI-05	KBLI-05	1700	850	500	250	,480	6	10
KBRI-06	KBLI-06	2000	1000	1000	500	,568	7	15
KBRI-07	KBLI-07	2300	1150	1200	600	,655	18	25
KBRI-08	KBLI-08	2600	1300	1500	750	,743	23	35
KBRI-10	KBLI-10	4900	2450	1700	850	,962	30	50
KBRI-12	KBLI-12	5600	2800	2300	1150	1,093	40	70
KBRI-16	KBLI-16	6000	3000	2600	1300	1,488	46	85



Rod End Bearings

KB..I

inch

Phone +49 - 22 03 - 96 49-145
 Fax +49 - 22 03 - 96 49-334

Dimensions [inch]

igubal® – Rod End Bearings KBRI / KBLI

Part Number		d1	d2	d3	d4	C1	B	h1	l3	l4	W	Max. pivot angle	
		E10											
		R.-hand thread					L.-hand thread						
KBRI-03	KBLI-03	,1900	,625	10-32	,406	,246	,312	1,062	,500	1,374	,312	25°	
KBRI-04	KBLI-04	,2500	,750	1/4-28	,469	,272	,365	1,312	,687	1,687	,375	25°	
KBRI-05	KBLI-05	,3125	,875	5/16-24	,500	,340	,437	1,375	,687	1,813	,437	25°	
KBRI-06	KBLI-06	,3750	1,000	3/8-24	,687	,394	,500	1,625	,812	2,125	,562	22°	
KBRI-07	KBLI-07	,4375	1,125	7/16-20	,750	,456	,562	1,812	,937	2,374	,625	22°	
KBRI-08	KBLI-08	,5000	1,312	1/2-20	,875	,487	,625	2,125	1,062	2,781	,750	22°	
KBRI-10	KBLI-10	,6250	1,500	5/8-18	1,000	,545	,750	2,500	1,375	3,250	,875	22°	
KBRI-12	KBLI-12	,7500	1,750	3/4-16	1,125	,676	,875	2,875	1,562	3,750	1,000	22°	
KBRI-16	KBLI-16	1,0000	2,750	1-12	1,625	1,000	1,375	4,125	2,125	5,500	1,500	20°	

Available from stock

