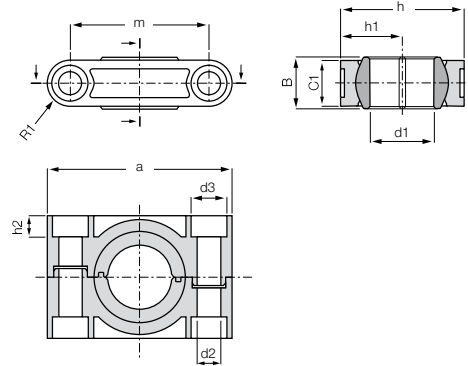


Pillow block bearing with split housing and split ball: ESTM-GT...-GT



Order key

Type Size Version

**E** ST M -GT 16 - GT

Dimensional series E	Pillow block bearing	Metric	Split housing	Inner-Ø [mm]	Split ball
----------------------	----------------------	--------	---------------	--------------	------------



Material:

Housing: RN33 ▶ Page 1236

Spherical ball: iglidur® J ▶ Page 99

- Save time during assembly and disassembly of shafts
- Low installation space and low weight
- High stiffness and fatigue strength
- Spherical ball material iglidur® J for low moisture absorption
- Ideal for outdoor use
- Dimensional series E according to standard DIN ISO 12240
- Adapter available ▶ Page 656

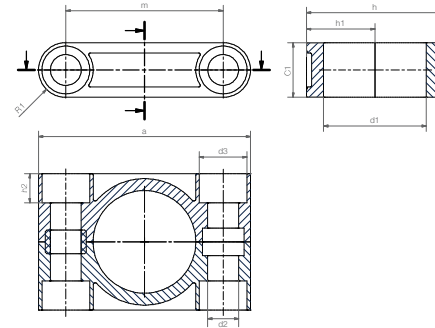
Technical data

Part No.	max. static radial load		max. static radial compressive force		Weight [g]
	Short term	Long term	Short term	Long term	
	[N]	[N]	[N]	[N]	
ESTM-GT16-GT	2,500	1,250	8,500	4,250	18.0
ESTM-GT20-GT	5,000	2,500	11,000	5,750	28.0
ESTM-GT25-GT	5,000	2,500	18,500	9,250	52.0
ESTM-GT30-GT	5,000	2,500	16,500	8,250	84.0

Dimensions [mm]

Part No.	d1	d2	d3	h	h1	h2	a	m	C1	B	R1	Max. pivot angle
ESTM-GT16-GT	16.0	6.6	10.6	34.0	17.0	6.4	50.0	37.0	13.0	13.0	6.5	22°
ESTM-GT20-GT	20.0	9.0	14.0	40.0	20.0	8.6	62.0	46.0	16.0	16.0	8.0	22°
ESTM-GT25-GT	25.0	9.0	14.0	48.0	24.0	8.6	72.0	54.0	18.0	20.0	9.0	22°
ESTM-GT30-GT	30.0	11.0	17.0	56.0	28.0	10.6	86.0	64.0	22.0	22.0	11.0	22°

Pillow block bearing with parallel bore: ESTM-GT



Order key

Type Size Version

**E** ST M -GT 16 - 25

Dimensional series E	Pillow block bearing	Metric	Split	Dimension	Inner-Ø [mm]
----------------------	----------------------	--------	-------	-----------	--------------



Material:

igumid G ▶ Page 1235

- Easy to assemble/disassemble
- Ideal for outdoor applications
- High loads
- Dimensional series E according to standard DIN ISO 12240

Dimensions [mm]

Part No.	d1	d2	d3	h	h1	h2	a	m	C1	R1	Weight [g]
ESTM-GT16-25	25.0	6.6	10.6	34.0	14.0	6.4	50.0	37.0	13.0	6.5	12.6
ESTM-GT20-30	30.0	9.0	14.0	40.0	20.0	8.6	62.0	46.0	16.0	8.0	21.1
ESTM-GT25-35	35.0	9.0	14.0	48.0	24.0	8.6	72.0	54.0	20.0	9.0	39.9
ESTM-GT30-40	40.0	11.0	17.0	56.0	28.0	10.6	86.0	64.0	22.0	11.0	66.5