



Made of xirodur® B180

PP balls



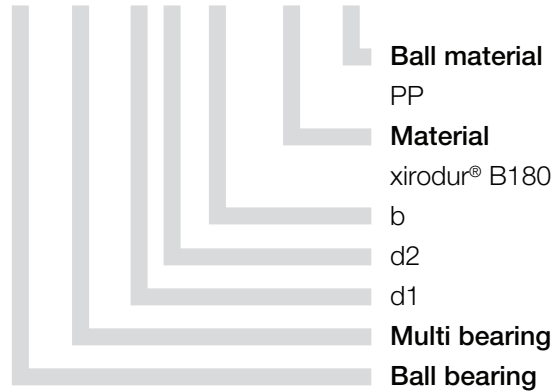
+80 °C

-40 °C



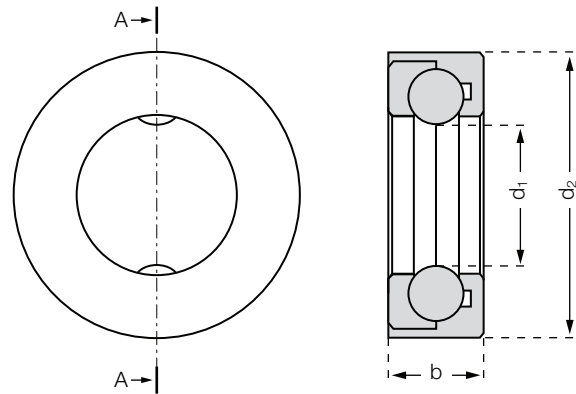
Order key

BB-MB-1633-11-B180-PP



This xirodur® B180 multi-axis plastic bearing made of triboplastic uses balls running directly on the shaft. By not using a cage, both rotary movements as well linear strokes are possible.

- Lubrication- and maintenance-free
- Corrosion-resistant
- Low weight
- Temperature resistant up to +80 °C
- Non-magnetic
- Electrically insulating



Dimensions [mm]

Part number	Ring	Ball	d1	d2	b
BB-MB-1633-11-B180-PP	B180	PP	16.3	33	11

Technical Data

Part number	Stat. bearing load [N]	Dyn. bearing load [N]	Max. speed [rpm]	Weight [g]
BB-MB-1633-11-B180-PP	55	70	500	6.9



delivery from stock
time



prices price list online
www.igus.eu/eu/xiros-multi