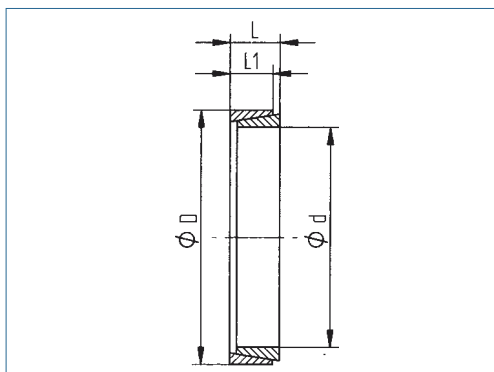


Locking Element

optional
nickel-plated version
optional full stainless
steel version



| | |
|---|-------|
| transmittable torque | low |
| surface pressure on hub | low |
| self-centering | no |
| axial movement of the hub during assembly | no |
| height D/d | flat |
| overall length | short |

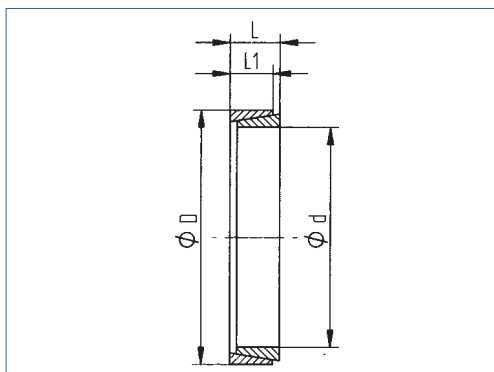
| | |
|------------|--|
| Order Code | KBS 50 - 24 x 28 |
| | Type Ød ØD |

Recommended finishing tolerances of contact surfaces are: shaft h8 / hub H8

| Inner / Outer Ø dxD | Torque T Nm | Dimensions | | Surface pressure on | | Tension Force FA N | Mass kg |
|------------------------|-------------------|------------|----------|----------------------------------|--------------------------------|-----------------------------|------------|
| | | L mm | L1 mm | Shaft Pw N/mm ² | Hub Pn N/mm ² | | |
| 60 x 68 | 860 | 12 | 10.4 | 125 | 110 | 157200 | 0.072 |
| 63 x 71 | 910 | 12 | 10.4 | 120 | 105 | 157200 | 0.077 |
| 65 x 73 | 950 | 12 | 10.4 | 115 | 100 | 157200 | 0.079 |
| 70 x 79 | 1380 | 14 | 12.2 | 125 | 110 | 209600 | 0.110 |
| 75 x 84 | 1450 | 14 | 12.2 | 115 | 100 | 209600 | 0.130 |
| 80 x 91 | 2200 | 17 | 15.0 | 125 | 105 | 290000 | 0.190 |
| 85 x 96 | 2400 | 17 | 15.0 | 120 | 106 | 312000 | 0.200 |
| 90 x 101 | 2750 | 17 | 15.0 | 120 | 107 | 325000 | 0.200 |
| 95 x 106 | 3060 | 17 | 15.0 | 120 | 108 | 339000 | 0.200 |
| 100 x 114 | 4230 | 21 | 18.7 | 120 | 105 | 452000 | 0.400 |
| 110 x 124 | 5120 | 21 | 18.7 | 120 | 106 | 492000 | 0.400 |
| 120 x 134 | 6090 | 21 | 18.7 | 120 | 107 | 527000 | 0.500 |
| 130 x 148 | 9670 | 28 | 25.3 | 120 | 105 | 783300 | 0.800 |
| 140 x 158 | 11200 | 28 | 25.3 | 120 | 106 | 830200 | 0.900 |
| 150 x 168 | 12900 | 28 | 25.3 | 120 | 107 | 877800 | 1.000 |
| 160 x 178 | 14700 | 28 | 25.3 | 120 | 108 | 926000 | 1.000 |
| 170 x 191 | 19600 | 33 | 30.0 | 120 | 107 | 1180000 | 1.500 |
| 180 x 201 | 22000 | 33 | 30.0 | 120 | 107 | 1234700 | 1.600 |
| 190 x 211 | 24500 | 33 | 30.0 | 120 | 108 | 1295300 | 1.700 |
| 200 x 224 | 31500 | 38 | 34.8 | 120 | 107 | 1591700 | 2.300 |
| 210 x 234 | 34700 | 38 | 34.8 | 120 | 108 | 1655900 | 2.500 |
| 220 x 244 | 38100 | 38 | 34.8 | 120 | 108 | 1720600 | 2.600 |

Locking Element

optional
nickel-plated version
optional full stainless
steel version



| | |
|---|-------|
| transmittable torque | low |
| surface pressure on hub | low |
| self-centering | no |
| axial movement of the hub during assembly | no |
| height D/d | flat |
| overall length | short |

Order Code **KBS 50 - 24 x 28**
Type Ød ØD

Recommended finishing tolerances of contact surfaces are: shaft h8 / hub H8

| Inner / Outer Ø dxD | Torque T Nm | Dimensions | | Surface pressure on | | Tension Force FA N | Mass kg |
|------------------------|-------------------|------------|----------|----------------------------------|--------------------------------|--------------------------|------------|
| | | L mm | L1 mm | Shaft Pw N/mm ² | Hub Pn N/mm ² | | |
| 6 x 9# | 2.4 | 4.5 | 3.7 | 115 | 75 | 3800 | 0.0012 |
| 7 x 10# | 3 | 4.5 | 3.7 | 105 | 70 | 3900 | 0.0014 |
| 8 x 11# | 4.7 | 4.5 | 3.7 | 120 | 90 | 5300 | 0.0015 |
| 9 x 12 | 7.9 | 4.5 | 3.7 | 140 | 105 | 15600 | 0.0017 |
| 10 x 13 | 9.5 | 4.5 | 3.7 | 135 | 105 | 15600 | 0.0018 |
| 12 x 15 | 11.4 | 4.5 | 3.7 | 115 | 90 | 15600 | 0.0021 |
| 13 x 16 | 13.1 | 4.5 | 3.7 | 110 | 90 | 15600 | 0.0023 |
| 14 x 18 | 22.3 | 6.3 | 5.3 | 115 | 90 | 25400 | 0.0049 |
| 15 x 19 | 24.3 | 6.3 | 5.3 | 110 | 85 | 25400 | 0.0053 |
| 16 x 20 | 27.3 | 6.3 | 5.3 | 105 | 85 | 25400 | 0.0055 |
| 17 x 21 | 29.8 | 6.3 | 5.3 | 105 | 85 | 25400 | 0.0058 |
| 18 x 22 | 32.4 | 6.3 | 5.3 | 100 | 80 | 25400 | 0.0061 |
| 19 x 24 | 49 | 6.3 | 5.3 | 140 | 110 | 36000 | 0.0078 |
| 20 x 25 | 53 | 6.3 | 5.3 | 135 | 105 | 36000 | 0.0082 |
| 22 x 26 | 66 | 6.3 | 5.3 | 135 | 115 | 36000 | 0.0072 |
| 24 x 28 | 73 | 6.3 | 5.3 | 130 | 110 | 36000 | 0.0080 |
| 25 x 30 | 72 | 6.3 | 5.3 | 115 | 95 | 36000 | 0.0100 |
| 28 x 32 | 86 | 6.3 | 5.3 | 115 | 100 | 36000 | 0.0090 |
| 30 x 35 | 91 | 6.3 | 5.3 | 100 | 85 | 45000 | 0.0120 |
| 32 x 36 | 131 | 6.3 | 5.3 | 130 | 115 | 54000 | 0.0100 |
| 35 x 40 | 171 | 7.0 | 6.0 | 125 | 110 | 54000 | 0.0170 |
| 36 x 42 | 169 | 7.0 | 6.0 | 115 | 100 | 54000 | 0.0200 |
| 38 x 44 | 181 | 7.0 | 6.0 | 110 | 95 | 66000 | 0.0210 |
| 40 x 45 | 231 | 8.0 | 6.6 | 115 | 105 | 66000 | 0.0230 |
| 42 x 48 | 235 | 8.0 | 6.6 | 110 | 95 | 99000 | 0.0280 |
| 45 x 52 | 353 | 10.0 | 8.6 | 105 | 95 | 132000 | 0.0420 |
| 48 x 55 | 572 | 10.0 | 8.6 | 155 | 135 | 132000 | 0.0450 |
| 50 x 57 | 602 | 10.0 | 8.6 | 150 | 130 | 132000 | 0.0470 |
| 55 x 62 | 670 | 10.0 | 8.6 | 140 | 125 | 132000 | 0.0500 |
| 56 x 64 | 790 | 12.0 | 10.4 | 130 | 115 | 157200 | 0.0670 |

automatically slit