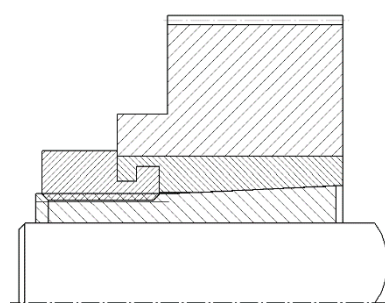
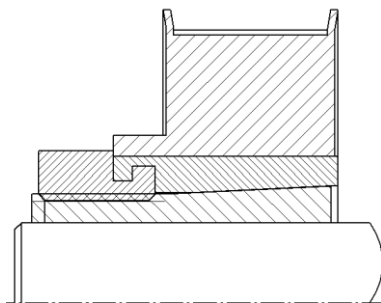
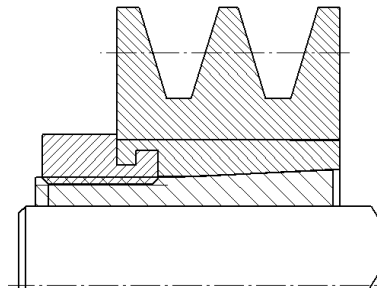
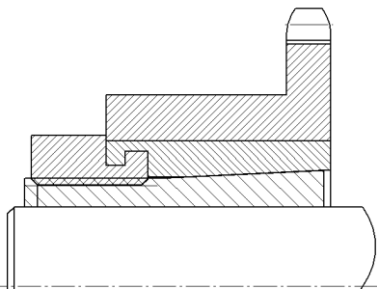
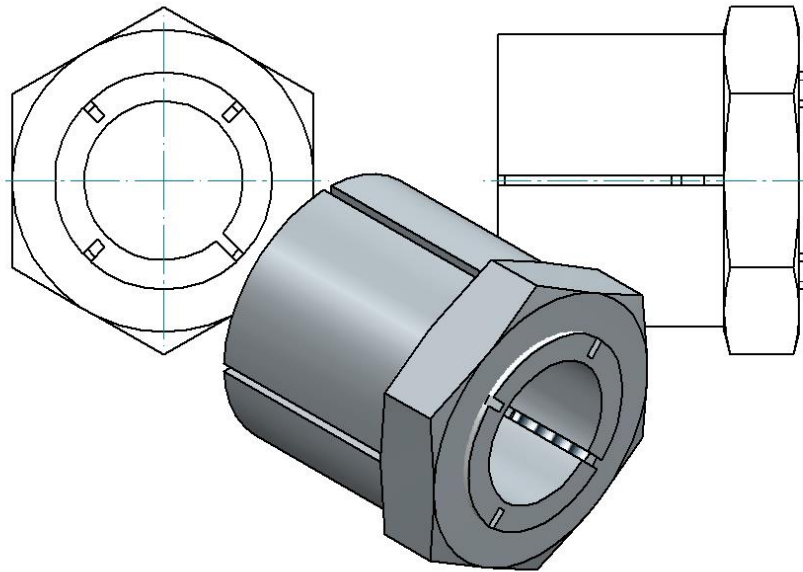




## Locking Device KBS 58



The **KBS 58 Locking Device** is a frictionally engaged shaft-hub connection for cylindrical shafts and bores without keyway.





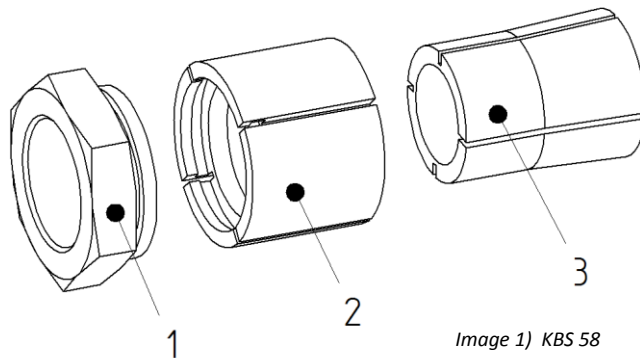
### Characteristics

- generally delivered fully assembled
- self-centering
- true-running accuracy **0,02 – 0,04 mm**

### *Tolerances, Surfaces*

- one accurate rotating process is sufficient: **Rz ≤ 16 μm**
- maximum permissible tolerance: **d = h8/H8 – Shaft/Hub**

### Components of locking device KBS 58



Component	Quantity	Description
1	1	Hexagon nut
2	1	Outer ring (slotted)
3	1	Inner ring (slotted)



#### **Information!**

Contaminated or used locking devices have to be disassembled and cleaned prior to installation. Then apply a thin layer of a low-viscosity oil (e.g. Ballistol Universal Oil or Klüber Quietsch Ex)



### Assembly of the locking device

- Check the shaft- and hub position regarding the permitted tolerance (h8/H8).
- Clean contact surfaces both of the locking device, the shaft and the hub (see image 2). Then apply a thin layer of low viscosity oil (e.g. Ballistol Universal Oil or Klüber Quietsch Ex).

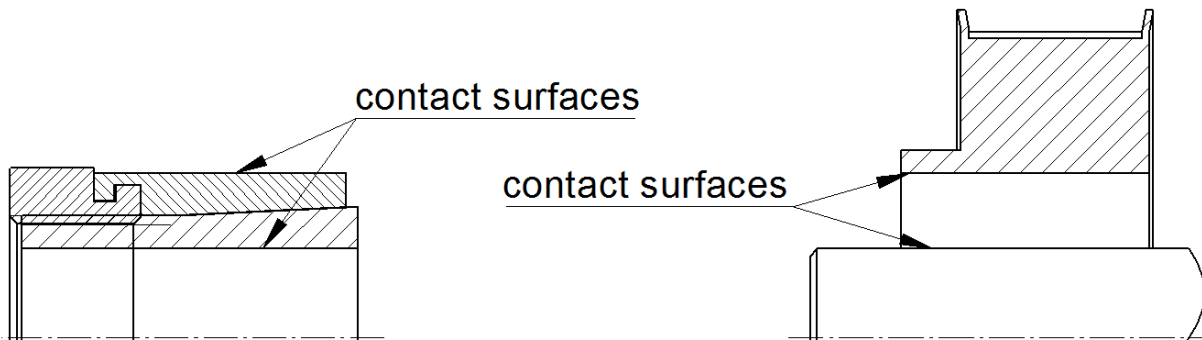


Image 2) Cleaning the contact surfaces



**Attention!**

You must not use any oil or grease that increases the friction coefficient significantly. Oil-free assembly may result in deviating table and calculation values.

- Slightly loosen the hexagon nut (component 1). Insert locking device KBS 58 between shaft and hub.
- Slightly tighten the hexagon nut manually and align the locking device with the hub.
- Tighten the hexagon nut to the torque stated in table1.

**Table 1:**

Locking device	KBS 58							
Size d x D	5 x 14	6 x 14	7 x 16	8 x 16	9 x 20	10 x 20	11 x 22	12 x 22
Wrench size SW	14	14	16	16	22	22	22	22
Torque T <sub>A</sub> [Nm]	10	12	17	17	35	35	44	44
Size d x D	14 x 26	15 x 26	16 x 26	17 x 32	18 x 35	19 x 35	20 x 35	22 x 42
Wrench size SW	27	27	27	32	36	36	36	46
Torque T <sub>A</sub> [Nm]	65	65	65	110	161	161	161	250



Size d x D	24 x 42	25 x 42	28 x 47	30 x 47	32 x 55	35 x 55	38 x 62	40 x 62
Wrench size SW	46	46	50	50	55	55	65	65
Torque T <sub>A</sub> [Nm]	250	250	355	355	490	490	700	700
Size d x D	42 x 65	45 x 65	48 x 75	50 x 75				
Wrench size SW	65	65	75	75				
Torque T <sub>A</sub> [Nm]	700	900	1290	1290				



**Information!**

During assembly, there might be an axial displacement of the hub relative to the shaft, using the KBS 58.

**Disassembly of the locking device**



**Danger!**

Loosened or falling drive components can cause personal injury or machine damages. Secure the drive components prior to disassembly.

- Loosen the clamping nut (component 1).
- Turn the clamping nut counter-clockwise until locking device KBS 58 can be moved.
- Remove the loosened locking device..

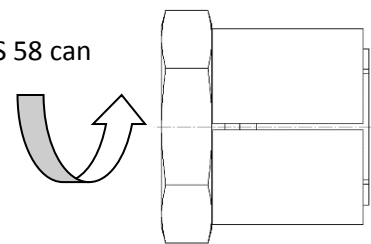


Image 3) Loosening the locking



**Attention!**

Non-compliance with these instructions as well as disregarded operating conditions dimensioning the locking device can influence the function of the locking device

**Disposal:** Defective locking devices must be cleaned and disposed.

