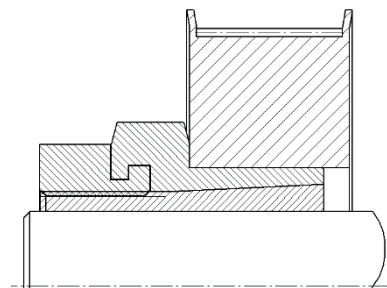
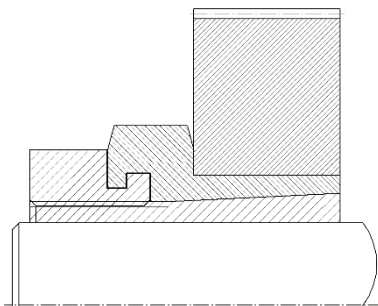
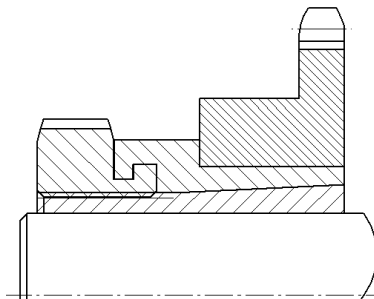
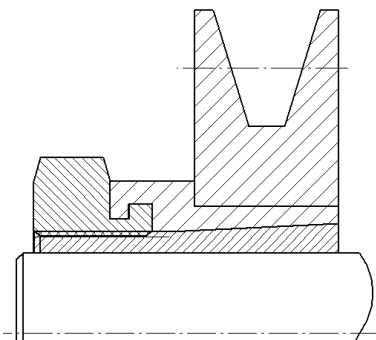
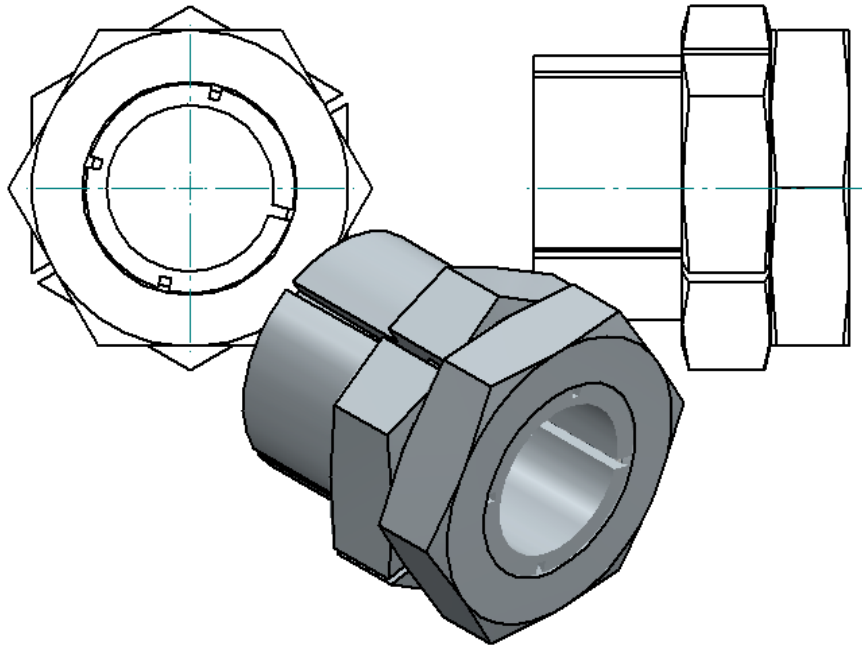




Locking Device KBS 59



The **KBS 59 Locking Device** is a frictionally engaged shaft-hub connection for cylindrical shafts and bores without keyway.





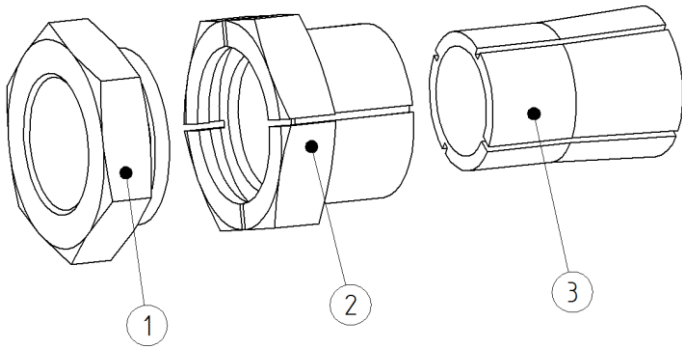
Characteristics

- generally delivered fully assembled
- self-centering
- true-running accuracy **0,02 – 0,04 mm**

Tolerances, Surfaces

- one accurate rotating process is sufficient: **Rz ≤ 16 μm**
- maximum permissible tolerance: **d = h8/H8 – Shaft/Hub**

Components of locking device KBS 59



Component	Quantity	Description
1	1	Hexagon nut
2	1	Outer ring w/hexagon (slotted)
3	1	Inner ring (slotted)

Image 1) KBS 59



Information!

Contaminated or used locking devices have to be disassembled and cleaned prior to installation. Then apply a thin layer of a low-viscosity oil (e.g. Ballistol Universal Oil or Klüber Quietsch Ex)





Assembly of the locking device

- Check the shaft- and hub position regarding the permitted tolerance (h8/H8).
- Clean contact surfaces both of the locking device, the shaft and the hub (see image 2). Then apply a thin layer of low viscosity oil (e.g. Ballistol Universal Oil or Klüber Quietsch Ex).

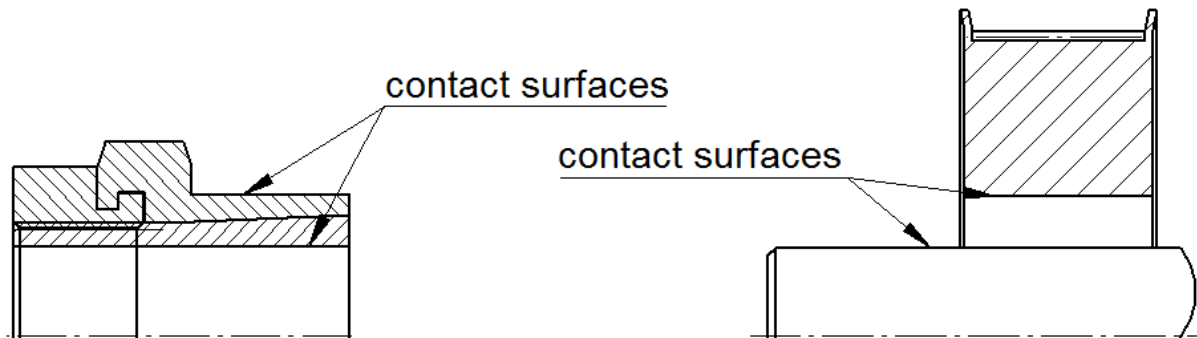


Image 2) Cleaning the contact surfaces



Attention!

You must not use any oil or grease that increases the friction coefficient significantly. Oil-free assembly may result in deviating table and calculation values.

- Slightly loosen the hexagon nut (component 1). Insert locking device KBS 59 between shaft and hub.
- Slightly tighten the hexagon nut manually and align the locking device with the hub.
- Tighten the hexagon nut to the torque stated in table1. When tightening, press the nut of the outer ring (component 2) against it.

Table 1:

Locking Device	KBS 59					
Size d x D	5 x 12	6 x 12	7 x 14	8 x 14	9 x 18	10 x 18
Wrench size SW	14	14	16	16	22	22
Torque T _A [Nm]	10	10	17	17	35	35
Size d x D	11 x 20	12 x 20	14 x 24	15 x 24	16 x 24	17 x 26
Wrench size e SW	22	22	27	27	27	32
Torque T _A [Nm]	44	44	65	65	65	110





Size d x D	18 x 30	19 x 30	20 x 30	22 x 38	24 x 38	25 x 38
Wrench size e SW	36	36	36	46	46	46
Torque T _A [Nm]	160	160	160	250	250	250
Size d x D	28 x 42	30 x 42	32 x 50	35 x 50	38 x 58	40 x 58
Wrench size e SW	50	50	55	55	65	65
Torque T _A [Nm]	355	355	490	490	700	700
Size d x D	42 x 60	45 x 60				
Wrench size e SW	65	65				
Torque T _A [Nm]	740	740				



Information!

During assembly, there might be an axial displacement of the hub relative to the shaft, using the KBS 59.

Disassembly of the locking device



Danger!

Loosened or falling drive components can cause personal injury or machine damages. Secure the drive components prior to disassembly.

- Hold the outer ring of the hexagon (component 2) and loosen the clamping nut (component 1)
- Turn the clamping nut counter-clockwise until locking device KBS 59 can be moved.
- Remove the loosened locking device.

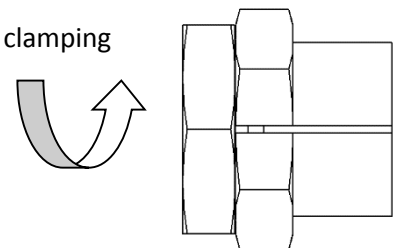


Image 3) Loosening the locking device



Attention!

Non-compliance with these instructions as well as disregarded operating conditions dimensioning the locking device can influence the function of the locking device.

Disposal: Defective locking devices must be cleaned and disposed.

