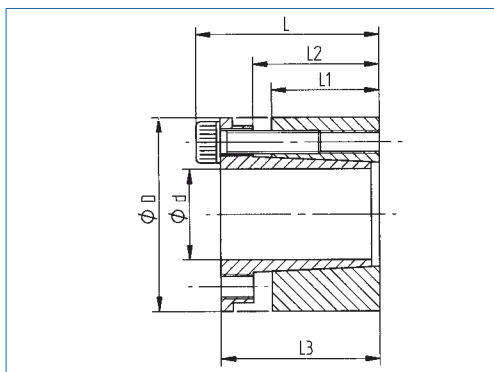


## Locking Device

optional  
nickel-plated version  
optional full stainless  
steel version



transmittable torque	high
surface pressure on hub	medium
self-centering	yes
axial movement of the hub during assembly	yes
height D/d	high
overall length	medium

Order Code

**KBS 70 - 48 x 80**

Type                      Ød                      ØD

Recommended finishing tolerances of contact surfaces are: shaft h8 / hub H8

Inner / Outer Ø dxD	Torque T Nm	Dimensions				Surface pressure on		Screws			Mass kg
		L mm	L1 mm	L2 mm	L3 mm	Shaft Pw N/mm <sup>2</sup>	Hub Pn N/mm <sup>2</sup>	No.	ISO 4762	TA Nm	
19 x 47	350	45	26	31	39	228	98	4	M6x25	17	0.34
20 x 47	390	45	26	31	39	231	100	4	M6x25	17	0.34
22 x 47	440	45	26	31	39	220	95	4	M6x25	17	0.33
24 x 50	519	45	26	31	39	215	102	6	M6x25	17	0.35
25 x 50	590	45	26	31	39	230	105	6	M6x25	17	0.35
28 x 55	700	45	26	31	39	220	110	6	M6x25	17	0.39
30 x 55	760	45	26	31	39	200	120	6	M6x25	17	0.41
32 x 60	930	45	26	31	39	230	114	8	M6x25	17	0.50
35 x 60	1030	45	26	31	39	200	119	8	M6x25	17	0.45
38 x 65	1240	45	26	31	39	210	124	8	M6x25	17	0.55
40 x 65	1350	45	26	31	39	200	125	8	M6x25	17	0.50
42 x 75	2170	55	30	36	47	236	140	6	M8x30	41	0.90
45 x 75	2350	55	30	36	47	236	140	6	M8x30	41	0.90
48 x 80	2510	55	30	36	47	218	135	6	M8x30	41	0.95
50 x 80	2580	55	30	36	47	218	135	6	M8x30	41	0.97
55 x 85	3200	55	30	36	47	223	145	8	M8x30	41	1.00
60 x 90	3380	55	30	36	47	198	157	8	M8x30	41	1.10
65 x 95	4160	55	30	36	47	213	140	8	M8x30	41	2.30
70 x 110	6840	67	40	46	57	225	143	8	M10x35	83	2.25
75 x 115	7500	72	40	46	62	210	138	8	M10x35	83	2.55
80 x 120	8100	72	40	46	62	200	130	8	M10x35	83	2.70
85 x 125	9700	72	40	46	62	210	145	10	M10x35	83	2.80
90 x 130	10300	72	40	46	62	200	138	10	M10x35	83	2.85
95 x 135	12100	72	40	46	62	210	148	10	M10x35	83	2.90
100 x 145	15700	89	46	52	77	216	148	8	M12x45	145	4.75
110 x 155	17200	89	46	52	77	196	139	8	M12x45	145	5.00
120 x 165	22500	89	46	52	77	216	156	10	M12x45	145	5.40
130 x 180	24000	89	46	52	77	196	140	12	M12x45	145	5.70
140 x 190	30800	98	51	59	84	196	145	8	M14x45	230	7.15
150 x 200	37150	98	51	59	84	205	153	10	M14x45	230	7.90
160 x 210	40500	98	51	59	84	205	155	10	M14x45	230	8.35
170 x 225	40900	98	51	59	84	163	123	12	M14x45	230	9.40
180 x 235	41300	98	51	59	84	160	120	12	M14x45	230	10.10