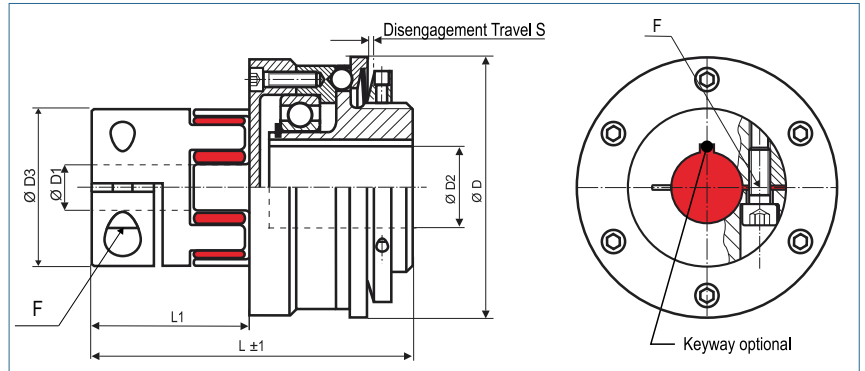
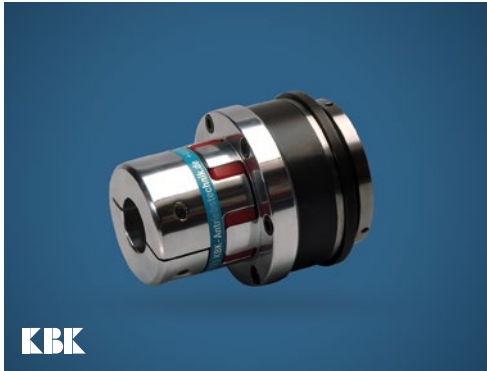


# Safety Coupling

with collet clamp and keyway

optional  
nickel-plated version  
optional full stainless  
steel version



Order Code

**KBK/EKP - 24 - 98.5 - 16H7 - N15H7 - 20Nm - C or D - 2**

Type                      Size                      Length                      ØD1 (H7)                      ØD2 (H7)                      Disengagement Torque                      Torque Range

C = Single Position    D = Multi Position Engagement

Size	Dimensions (mm)								Technical Data								
	ØD	L	Ø D1	Ø D2	Ø D3	F	L1	S	max. speed (1/min)	Mass (kg)	Moment of Inertia J (kg cm <sup>2</sup> )	Torque 98 Sh TKN (Nm)	Torque Range		Misalignment		
	Outer Ø	Length	Bore Size (H7) min~max	Bore Size (H7) min~max		Screw (ISO4762) TA (Nm)							1 TKN (Nm)	2 TKN (Nm)	radial Δ Kr (mm)	axial Δ Ka (mm)	angular Δ Kw (°)
-14	49	55	4-16	6-12	30	M3 1.4	24	0.7	11690	0.21	0.5	12.5	3 - 7	5 - 10	0.09	+1.0 -0.5	0.9
-19	64	81	10-22	10-16	40	M6/11	41	1.2	8950	0.65	2.7	17	5 - 15	10 - 30	0.06	+1.2 -0.5	0.9
		M6/11				33											
-24	79	98.5	15-32	15-24	55	M6/11	50	1.2	7630	1.24	7.6	60	12 - 35	20 - 60	0.10	+1.4 -0.5	0.9
		M6/11				40											
-28	94	121	19-38	19-29	65	M8/25	59	2	6030	2.1	18	160	50 - 130	65 - 150	0.11	+1.5 -0.7	0.9
		M8/25				45											
-38	119	134	20-45	20-42	80	M8/25	67	2	4980	3.8	57	325	60 - 200	150 - 300	0.12	+1.8 -0.7	0.9
		M10/49				53											
-42	129	157	28-45	20-50	95	M10	76	2	4440	5.9	104	450	80 - 250	200 - 500	0.14	+2.0 -1.0	0.9
						70											



<b>Material</b>	collet clamp: aluminium spider element: polyurethane 98 Sh A (red)
<b>Hub Style</b>	size 14 and 19: single slit** size 24, 28, 38 and 42: double slit ** short lengths are automatically with single slits
<b>Keyway</b>	optional acc. DIN 6885
<b>Temperature Range</b>	-30 °C ~ 90 °C