



**Threaded insert**  
self-tapping / with hexagonal socket

**Ensat®-SBI**  
Works Standard  
307 2 and 308 2

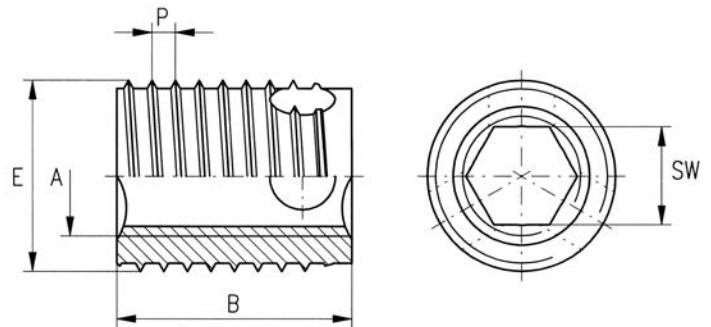
**Application**

Threaded insert Ensat®-SBI with cutting bores is a self-tapping fastener for the creation of wear-free, vibration resistant screw joints with high loading capacity in materials with higher shearing strength.

**Hexagonal socket**

The Ensat® is inserted via the hexagonal socket, permitting the achievement of short installation time.  
Other benefits: More simple driving tools and machines which require only clockwise rotation.

The Ensat® can be extracted without problems before the recycling process.



Dimensions in mm

Article number	Internal thread	External thread Special thread		Length B	Hexagonal socket	Guideline values for receiving hole diameter		Minimum borehole depth for blind holes
	A	E	P		SW +0,1	L		T
307 200 040 ...	M 4	6,5	0,8	6	3,2	6,0 to 6,1	8	
308 200 040 ...	M 4	6,5	0,8	8	3,2	6,0 to 6,1	10	
307 200 050 ...	M 5	8	1	7	4,1	7,4 to 7,6	9	
308 200 050 ...	M 5	8	1	10	4,1	7,4 to 7,6	13	
307 200 060 ...	M 6	10	1,25	8	4,9	9,3 to 9,5	10	
308 200 060 ...	M 6	10	1,25	12	4,9	9,3 to 9,5	15	
307 200 080 ...	M 8	12	1,5	9	6,6	11,1 to 11,3	11	
308 200 080 ...	M 8	12	1,5	14	6,6	11,1 to 11,3	17	
307 200 100 ...	M 10	14	1,5	10	8,3	13,1 to 13,3	13	
308 200 100 ...	M 10	14	1,5	18	8,3	13,1 to 13,3	22	
307 200 120 ...	M 12	16	1,75	12	10,1	15,0 to 15,2	15	
308 200 120 ...	M 12	16	1,75	22	10,1	15,0 to 15,2	26	

**Example for finding the article number**

Self-tapping threaded insert with hexagonal socket Ensat®-SBI to Works Standard 307 2 with internal thread A = M5 made of case-hardened, zinc plated and blue passivated steel: Ensat®-SBI 307 200 050.110

**Short design**  
**Long design**

Works Standard 307  
Works Standard 308

**Materials**

Case-hardened steel, zinc plated, blue passivated  
Case-hardened steel, zinc-nickel plated, transparent passivated  
Stainless steel 1.4305 (M4 to M8)  
Brass

Article-No. (fourth group of digits) ... 110  
Article-No. (fourth group of digits) ... 143  
Article-No. (fourth group of digits) ... 500  
Article-No. (fourth group of digits) ... 800

**Other materials, designs and finishes on request.**

**Tolerance**

ISO 2768-m

**Thread**

Internal thread A: as per ISO 6H  
External thread E: Special thread with flattened thread root, as per KKV standard