

### Application

Threaded insert Ensat®-SH with cutting slot is a fastener designed to create wear- and vibrationresistant screw connections capable of withstanding high loads in:

- Hardwood
- Softwood
- Soft plastic and
- Composite materials

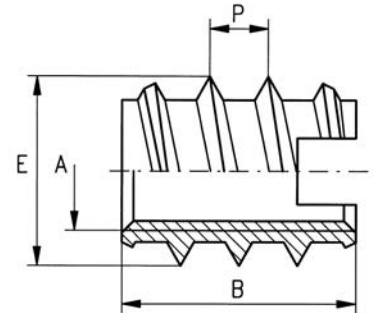
### Installation:

#### 1. Self-tapping

Installation with cutting slot facing **down** (normal application)

#### 2. Thread forming:

Installation with cutting slot facing **up** (in very soft materials)



Dimensions in mm

Article number	Internal thread	External thread		Length	Guideline values for receiving hole dia.		Minimum borehole depth for blind holes
		E	P		Softwood ≥ L	Plastic Hardwood L	
	A			B			
309 000 025 ...	M 2,5	5	1,6	6	3,5	3,6 to 3,8	8
309 000 030 ...	M 3	5,5	1,6	6	4,1	4,2 to 4,3	8
309 000 035 ...	M 3,5	6,5	1,6	8	4,6	4,7 to 4,8	10
309 000 040 ...	M 4	7	2,5	10	5,1	5,2 to 5,3	13
309 000 050 ...	M 5	9	3	12	6,6	6,7 to 6,9	15
309 000 060 ...	M 6	10	4	14	7,6	7,7 to 7,9	17
309 000 080 ...	M 8	13	4	20	9,9	10,1 to 10,3	23
309 000 100 ...	M 10	16	5	23	12,4	12,6 to 12,8	26
309 000 120 ...	M 12	19	5	26	15,4	15,6 to 15,8	30
309 000 140 ...	M 14	22	5	26	18,4	18,6 to 18,8	30
309 000 160 ...	M 16	24	5	26	20,4	20,6 to 20,8	30

### Example for finding the article number

Self-tapping threaded insert Ensat®-SH to Works Standard 309 0 with internal thread A = M5 made of brass:  
Ensat®-SH 309 000 050.800

### Materials

Case-hardened steel, zinc plated, blue passivated  
Brass

Article-No. (**fourth** group of digits) ... .. 110  
Article-No. (**fourth** group of digits) ... .. 800

**Other materials, designs (e. g. fine thread) and finishes on request.**

### Tolerance

ISO 2768-m

### Thread

Internal thread A: as per ISO 6H  
External thread E: Special thread, as per KKV specification

### Countersink

Guideline values for countersink N (see page 5, fig. 5): **N = 1,0 to 2,0 + E** (E = External dia. of the Ensat®).  
because of the larger diameter of the countersink, **the bore hole (L) countersink with 90°**.