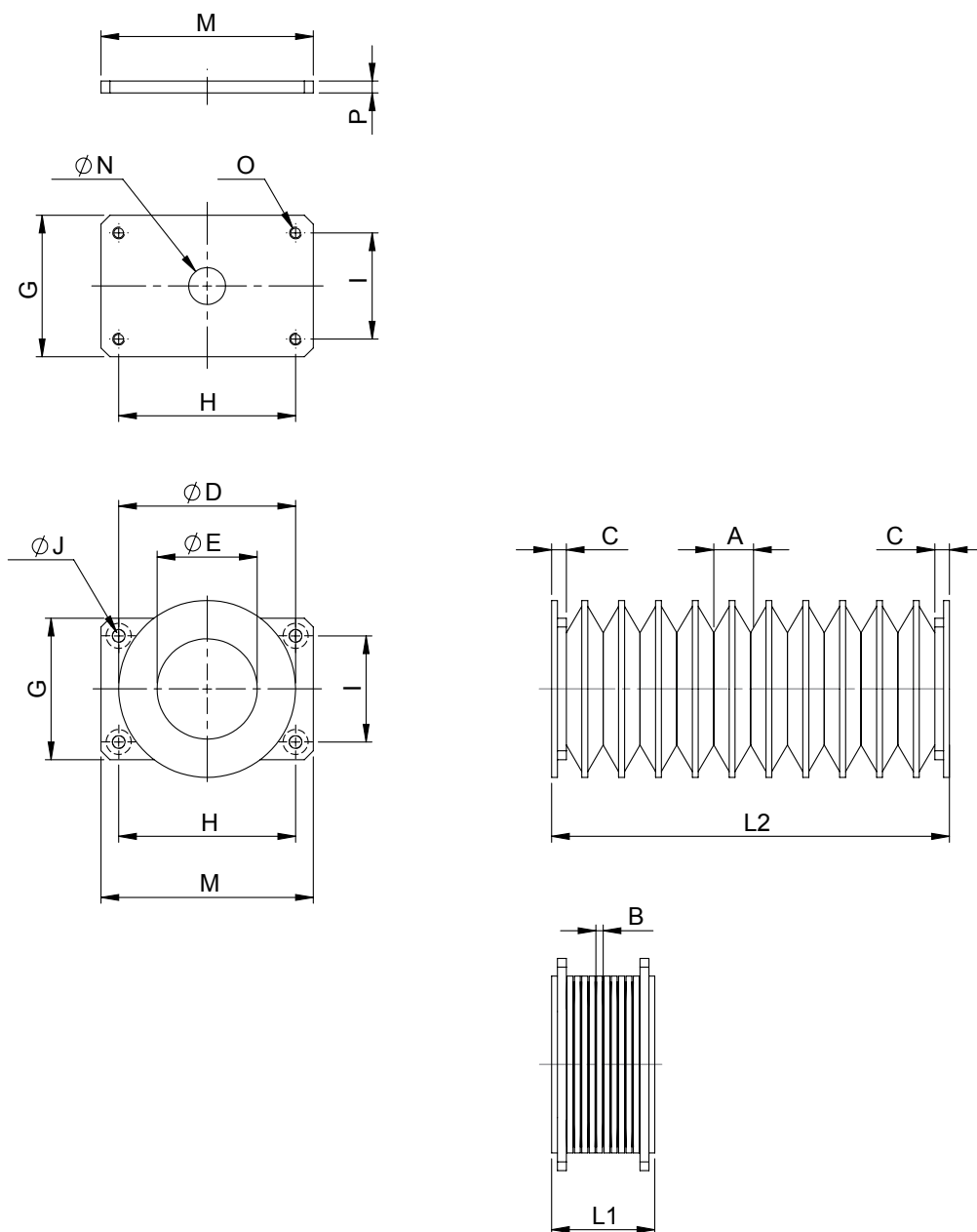


3.2.3.2 lean SL® gear rack protection & end plate • Dimension sheet

This gear rack protection is suitable for use in welding areas (SB). The end plate is used for fixing the gear rack protection on the lean SL® gear rack.



! Check whether the operating conditions require a gear rack protection. This gear rack protection is **suitable for use in welding areas**. It is shipped with two retaining plates and screws.

The gear rack protection is silicone-free.

Always add the number of folds "F = _ _ _" to the article number.

lean SL® gear rack protection	Unit	SL 5.0	SL 5.1	SL 5.3	
Stroke per fold	A	mm	12,5	12,5	27,5
	B	mm	2,5	2,5	2,5
	(A – B)	mm	10	10	25
	C	mm	5	5	5
	D	mm	Ø 50	Ø 60	Ø 110
Number of folds	E	mm	Ø 26	Ø 34	Ø 60
	F	each	as per customer data		
	G	mm	41	48	80
	H	mm	52	60	100
	I	mm	30	36	70
Stroke	J	mm	Ø 4,3 V 8,5 x 90°	Ø 4,3 V 8,5 x 90°	Ø 4,3 V 8,5 x 90°
	L	mm	$L = L2 - L1 = F \times (A - B)$		
	L1	mm	$L1 = 2 \times C + F \times B$		
	L2	mm	$L2 = 2 \times C + F \times A$		
	M	mm	63	72	110
	N	mm	Ø 10,5	Ø 12,5	Ø 20,5
	O	mm	M4	M4	M4
	P	mm	4	4	4

Article number	SL 5.0	SL 5.1	SL 5.3
lean SL® gear rack protection	500 177	500 178	500 179
lean SL® end plate	500 548	500 549	500 550