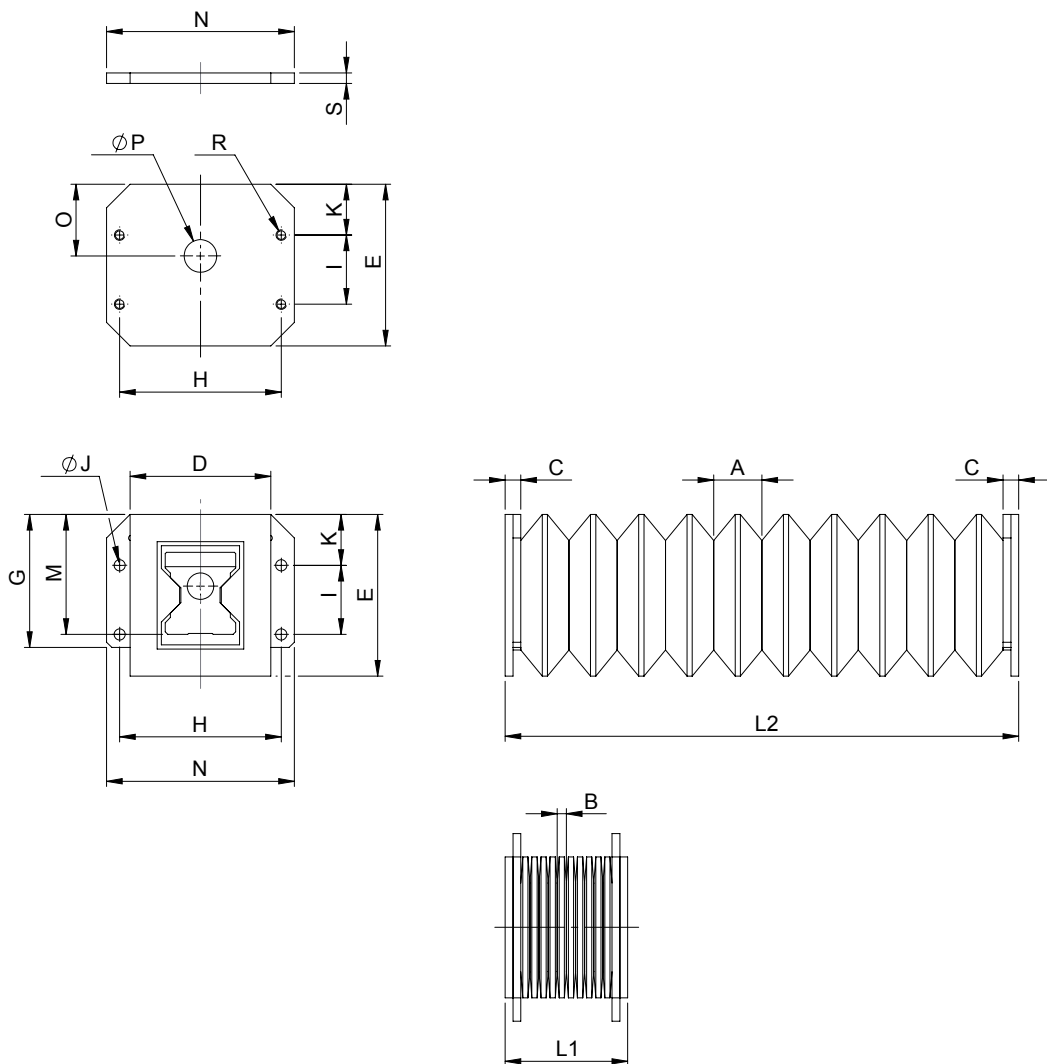
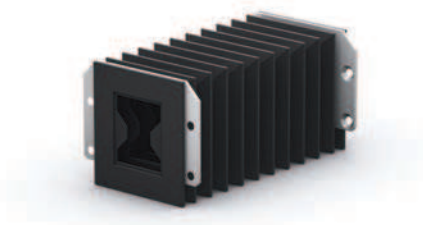


3.1.3.3 lifgo® gear rack protection SB & end plate • Dimension sheet

This gear rack protection is suitable for use in welding areas (SB). The end plate is used for mounting the gear rack protection on the lifgo® gear rack.



! Check whether the operating conditions require a gear rack protection. This gear rack protection is **suitable for use in welding areas**. It is shipped with retaining plates and screws.

Note that in its retracted state, the "SB" version requires 1,0 mm more installation space per fold (dimensions A, B and C).

The gear rack protection is silicone-free.

Always add the number of folds "F = _ _ _" to the article number.

| lifigo® gear rack protection SB | | Unit | 5.0 | 5.1 | 5.3 |
|------------------------------------|---------|------|----------------------------------|----------------------|----------------------|
| Stroke per fold | A | mm | 18,5 | 18,5 | 28,5 |
| | B | mm | 3,5 | 3,5 | 3,5 |
| | (A - B) | mm | 15 | 15 | 25 |
| | C | mm | 6 | 6 | 6 |
| | D | mm | 50 | 54 | 92 |
| Number of folds | E | mm | 54 | 62 | 94 |
| | F | each | as per customer data | | |
| | G | mm | 44,5 | 51 | 84 |
| | H | mm | 58 | 62 | 100 |
| | I | mm | 21 | 26,5 | 51,5 |
| Stroke | J | mm | ∅ 4,3 √ 8,5 x 90° | ∅ 4,3 √ 8,5 x 90° | ∅ 4,3 √ 8,5 x 90° |
| | K | mm | 18,5 | 19,5 | 23,5 |
| | L | mm | $L = L2 - L1 = F \times (A - B)$ | | |
| | L1 | mm | $L1 = 2 \times C + F \times B$ | | |
| | L2 | mm | $L2 = 2 \times C + F \times A$ | | |
| | M | mm | 40 | 46 | 71,5 |
| | N | mm | 68 | 72 | 112 |
| | O | mm | 24 | 27,5 | 45 |
| | P | mm | ∅ 10,5 | ∅ 12,5 | ∅ 20,5 |
| | R | mm | M4 | M4 | M4 |
| S | mm | 4 | 4 | 4 | |

| Article number | 5.0 | 5.1 | 5.3 |
|---------------------------------|---------|---------|---------|
| lifigo® gear rack protection SB | 500 510 | 500 511 | 500 512 |
| lifigo® end plate | 500 539 | 500 541 | 500 543 |