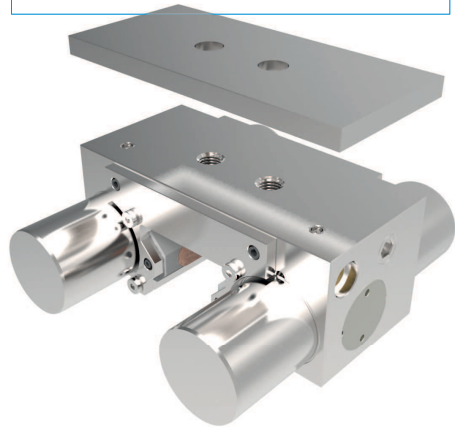


# CLAMPING AND BRAKING ELEMENTS

## SERIES MBPS

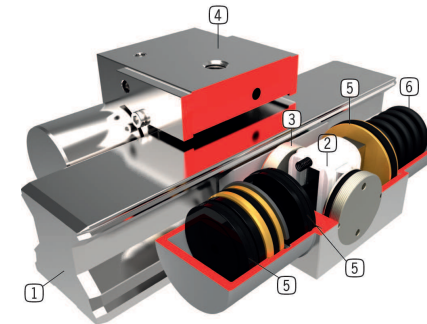
### ▶ PRODUCT ADVANTAGES



- ▶ **broad range of products**  
For all common profile rail guides
- ▶ **Energize to open (NC)**  
through spring-loaded energy storage
- ▶ **high durability**  
Up to 5 million static clamping cycles
- ▶ **Safety element**  
Safe braking in case of energy failure

### ▶ TECHNICAL DETAILS

- ① **Profile rail guide**  
- Available for all common profile rail guides
- ② **Wedge-type gear**  
- Power transmission between the pistons and clamping jaws and brake shoes
- ③ **Clamping jaws and brake shoes**  
- Pressed at the free surfaces of the profile rail guide
- ④ **housing**  
- chemically nickel plated steel
- ⑤ **Pneumatic piston**  
- The piston moves the wedge-type gear longitudinally
- ⑥ **Spring-loaded energy storage**  
- For non-pressurized closing of the clamping unit



### ▶ INFORMATION ON THE PRODUCTS

#### APPLICATION SCENARIOS

- ▶ **Clamping in case of pressure drop**
- ▶ **Emergency OFF function**
- ▶ **Braking for linear motors**

#### FURTHER INFORMATION

- ▶ **Adapter plate**  
In addition, an adapter plate might have to be ordered as height compensation depending on the height of the runner block (dimension D).
- ▶ **Special variants on request, e.g.**  
With proximity switch monitoring  
With low opening pressure (3.0 bar)  
With additional air connection (from above, from the front)

### ▶ INFORMATION ON THE SERIES

#### TECHNICAL DATA

Rail size	15-55 mm
Holding force	750-4700
pressure min.	4,5
pressure max.	6
Spring-loaded energy storage	existing
PLUS connection	no
Clamping cycles	up to 5 million
Braking cycles	up to 2000
Operation	pneumatic



#### ▶ Technical Information

All information just a click away at: [www.zimmer-group.de](http://www.zimmer-group.de)  
Find data, illustrations, 3D models and operating instructions for your installation size using the order number for your desired product.  
Quick, clear and always current.