

TESTINA PRENSILE

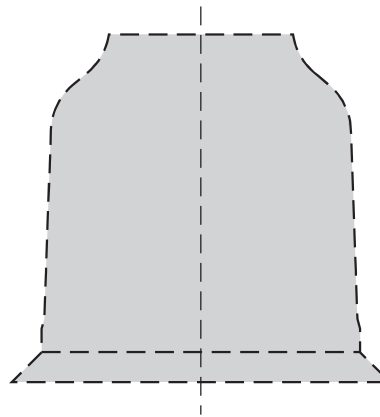
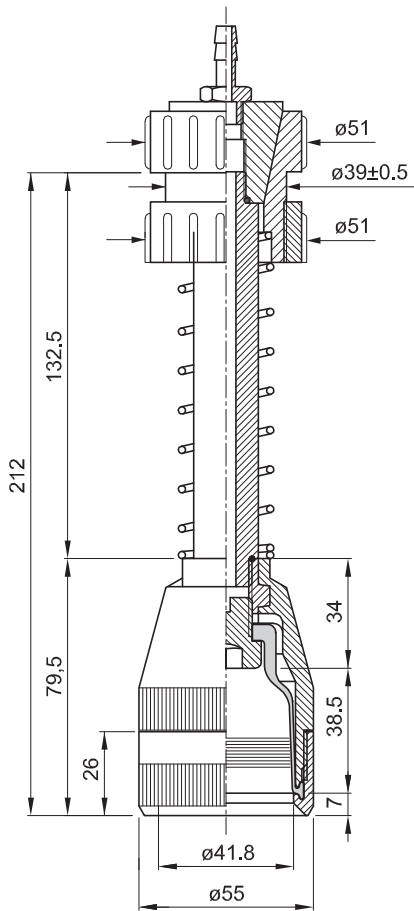
PICK-UP HEAD

TÊTE DE PRÉHENSION

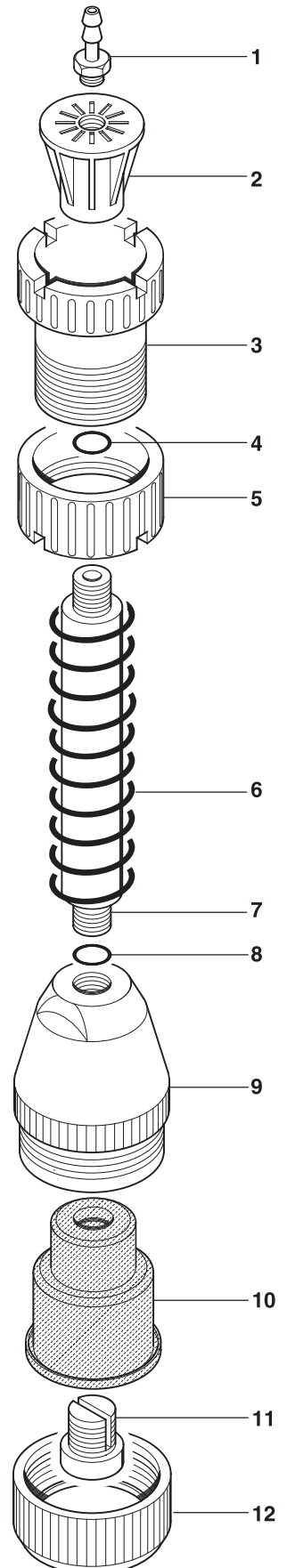
GREIFERKOPF

TULIPA

cod. 001.0120 ø 55



PROFILO INTERNO SCALA 1:1
INTERNAL SECTION SCALE 1:1
INNENPROFIL MASSTAB 1:1



| | COD. | MATERIALE | MATERIAL | MATERIEL | WERKSTOFF | MATERIAL |
|----|----------|-----------|-----------------|------------------|------------------|------------------|
| 1 | 024.0001 | OTTONE | BRASS | LAITON | MESSING | LATÓN |
| 2 | 025.0001 | PA | PA | PA | PA | PA |
| 3 | 026.0001 | PA | PA | PA | PA | PA |
| 4 | 057.0033 | GOMMA | RUBBER | CAOUTCHOUC | GUMMI | GOMA |
| 5 | 026.0011 | PA | PA | PA | PA | PA |
| 6 | 029.0001 | AISI | STAINLESS STEEL | ACIER INOXYDABLE | ROSTFREIER STAHL | ACERO INOXIDABLE |
| 7 | 028.0019 | AL | AL | AL | AL | AL |
| 8 | 057.0012 | GOMMA | RUBBER | CAOUTCHOUC | GUMMI | GOMA |
| 9 | 027.0042 | PA | PA | PA | PA | PA |
| 10 | 040.0093 | TPU | TPU | TPU | TPU | TPU |
| 11 | 032.0019 | PA | PA | PA | PA | PA |
| 12 | 026.0084 | PA | PA | PA | PA | PA |