

---

 TECHNICAL DATA SHEET

# PMA Accessories - BGPMR - Modular Support System Reducers



Reducers for BGPM modular system support with integrated axial fixation of conduits

**Applications:**

- Reducers for BGPM modular system support for downsizing corrugated conduits

**Features & Benefits:**

- Easy installation
- Provides axial strain relief for conduits, but allows rotation
- Combination of multiple reductions possible
- Self-extinguishing

**Materials:**

- High-grade, specially formulated polyamide 6

**Compatible with:**

- PMAFLEX Pro Conduits
- PMAFLEX Multilayer Conduits
- PMAFLEX Conduits
- PMA Smart Line Conduits
- BGPM Modular system support (datasheet no. 40030)
- BGPMK Cable clamping adapters (datasheet no. 40056)

**Conforms to:**

- EN 45545-2 HL3 (R22 & R23)
- NFPA 130
- UL 94 (V0)

**Weathering resistance:**

- Very good UV resistance and weathering characteristics

**Colour:**

- Black

**Chemical properties:**

- Please refer to [www.pma.ch](http://www.pma.ch) (Technical Information / Chemical Resistance)

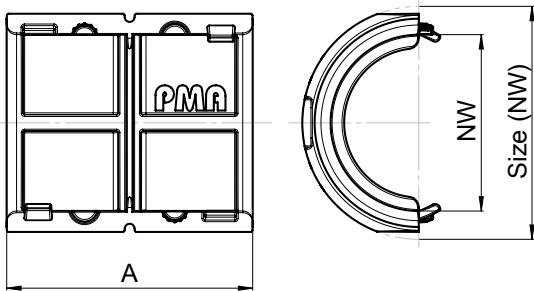
**Environmental properties:**

- Free from halogens and cadmium
- RoHS and REACH compliant

**Product selection:**

| Part no.      | Profile | Conduit size | Fits to Multiple Holder BGPM size (NW) | Fits to Reduction BGPMR | Dimensions in mm (nom.) | Weight     | Packing unit |
|---------------|---------|--------------|--|-------------------------|-------------------------|------------|--------------|
| black         | T/G     | NW           |  |                         | A                       | kg/100 pcs | pcs/PU       |
| BGPMR-10T/17  | T       | 10           | 17                                     | 17                      | 30                      | 0.5        | 5            |
| BGPMR-12T/17  | T       | 12           | 17                                     | 17                      | 30                      | 0.4        | 5            |
| BGPMR-17GT/23 | T/G     | 17           | 23                                     | 23                      | 30                      | 0.7        | 5            |
| BGPMR-23GT/29 | T/G     | 23           | 29                                     | 29                      | 30                      | 0.7        | 5            |
| BGPMR-29GT/36 | T/G     | 29           | 36                                     | 36                      | 30                      | 1.2        | 5            |
| BGPMR-36GT/48 | T/G     | 36           | 48                                     | -                       | 30                      | 2.0        | 5            |

Our customer service dept. or local distribution partner will be pleased to help you concerning product availability and lead time  
BGPM System Support (datasheet no. 40030)



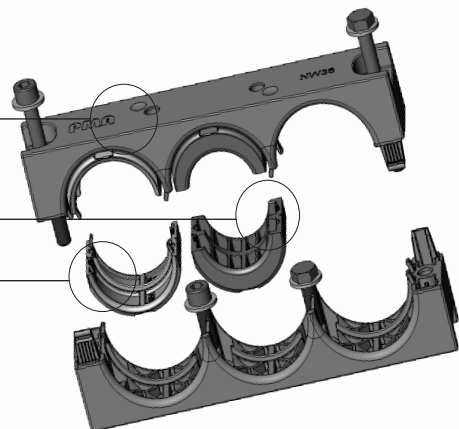
## BGPM - Modular support system

# Composition of the system

**System support:** provides axial strain relief for conduits but allowing rotation so that torsion does not transfer to the conduit

**Cable clamping adapter:** made of elastic material, can be used within both the support and the reducers

**Reducer:** allows to adapt the support holder to the next smaller conduit size and even further down



| Mechanical Properties:  | Value:                            | Test parameters: | Test method: |
|-------------------------|-----------------------------------|------------------|--------------|
| Tensile modulus         | 1'200 ... 3'700 N/mm <sup>2</sup> |                  | ISO 527      |
| Tensile strength        | 45 ... 65 N/mm <sup>2</sup>       |                  | ISO 527      |
| Notched bar impact test | 4 ... 20 kJ/m <sup>2</sup>        |                  | ISO 180/1C   |

| Thermal properties:                | Value:            | Test parameters: | Test method:     |
|------------------------------------|-------------------|------------------|------------------|
| Continuous application temperature | - 50 ... + 105 °C |                  | PMA DO 9.21-4510 |
| Upper application temperature      | + 120°C           | (20'000 h)       | PMA DO 9.21-4360 |
| Short-term                         | + 160 °C          | (168 h)          | PMA DO 9.21-4360 |

| Fire safety properties: | Value:                | Test parameters: | Test method:   |
|-------------------------|-----------------------|------------------|----------------|
| Fire performance        | non flame-propagating |                  | IEC EN 61386-1 |
| Flame class             | V0                    |                  | UL 94          |

|                   |                           |  |                                       |
|-------------------|---------------------------|--|---------------------------------------|
| Fire hazard level | HL3                       |  | EN 45545-2 (R22)                      |
| Oxygen index      | > 32 %                    |  | EN ISO 4589-2                         |
| Smoke density     | < 150 Ds max.             |  | EN ISO 5659-2 (25 kW/m <sup>2</sup> ) |
| Toxicity          | < 0.75 CIT <sub>NLP</sub> |  | NF X 70-100-1/-2: (600°C)             |

|                   |                          |  |                                       |
|-------------------|--------------------------|--|---------------------------------------|
| Fire hazard level | HL3                      |  | EN 45545-2 (R23)                      |
| Oxygen index      | > 32 %                   |  | EN ISO 4589-2                         |
| Smoke density     | < 300 Ds max.            |  | EN ISO 5659-2 (25 kW/m <sup>2</sup> ) |
| Toxicity          | < 1.5 CIT <sub>NLP</sub> |  | NF X 70-100-1/-2: (600°C)             |

|                            |           |  |            |
|----------------------------|-----------|--|------------|
| Fire performance NFPA 130: |           |  | NFPA 130   |
| - Flammability             | compliant |  | ASTM E 162 |
| - Smoke density            | compliant |  | ASTM E 662 |

|                         |             |  |                      |
|-------------------------|-------------|--|----------------------|
| Heat and visible smoke  | 26.00 MJ/kg |  | ASTM E 1354          |
| Smoke emission toxicity | compliant   |  | Bombardier SMP 800-C |
| Smoke emission toxicity | compliant   |  | Boeing BSS 7239      |

#### Content of delivery:

- Reducers

#### Assembly instructions:

- For possible combinations, please see page 2

ABB Switzerland Ltd,  
PMA Cable Protection  
Aathalstrasse 90  
8610 Uster, Switzerland  
Phone: +41 58 585 00 11  
pma-info@ch.abb.com  
www.pma.ch

Let's write the future.  
Together. **abb.com**

We reserve the right to make technical changes or modify the contents of this document without prior notice. With regard to purchase orders, the agreed particulars shall prevail. ABB Installation Products Inc. does not accept any responsibility whatsoever for potential errors or possible lack of information in this document.

We reserve all rights in this document and in the subject matter and illustrations contained therein. Any reproduction, disclosure to third parties or utilization of its contents – in whole or in parts – is forbidden without prior written consent of ABB Inc. Copyright© 2019 ABB Installation Products Inc. All rights reserved

