
 TECHNICAL DATA SHEET

PMA Automation - BCCH - Cobot Conduit Holder

PMA



Applications:

- In automation applications for fixing PMA conduits along a variety of cylindrical & elliptical shaped collaborative robot (cobot) arms

Features & Benefits:

- Flexible design of swivel base ensures compatibility with cobot models of most widely used brands (e.g., ABB™, UR™, Omron™, etc.)
- Fastening along cobot arm with Velcro® and/or cables ties
- 360° swiveling of BFH-0 clip gives flexibility and reduces mechanical stress induced by cobot movements
- 10° tilt angle of FH-clip in any direction
- Fits G- and T conduit profile
- Easy to install and to exchange

Materials:

- High-grade, specially formulated polyamide 6

Compatible with:

- PMAFLEX Pro Conduits
- PMAFLEX Multilayer Conduits
- PMAFLEX Conduits
- PMA Smart Line Conduits

Colour:

- Black

Additional information:

- Installation with Velcro® for cylindrical arm diameter 56mm – 120mm
- For arm diameter 120mm-370mm, the use of a Velcro® and additional cable ties (not included) is recommended

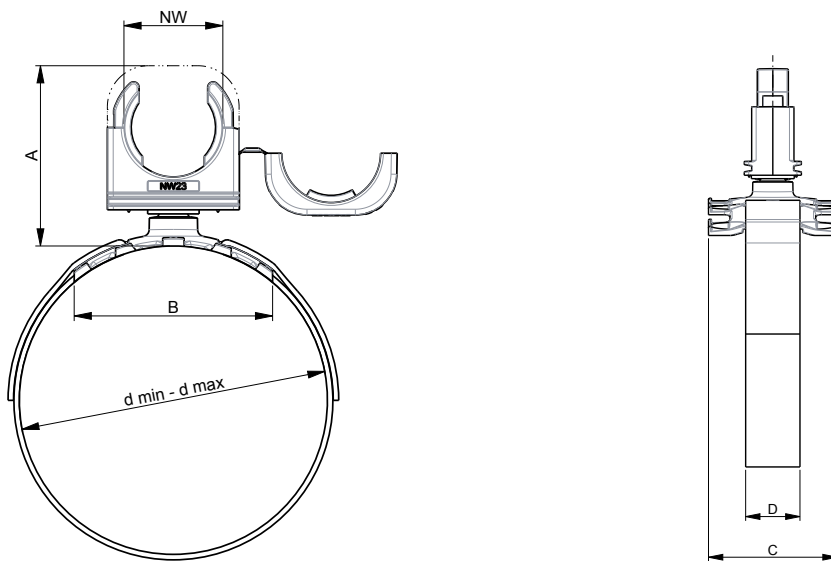
Environmental properties:

- Free from halogens and cadmium
- RoHS and REACH compliant

Product selection:

Part no.	Conduit size	Dimensions in mm (nom.)						Weight	Packing unit
		d min.	d max.	A	B	C	D		
black	NW							kg/100 pcs	pcs/PU
BCCH-17	17	56.0	370.0	44.5	57.9	45.0	19.0	20.3	1
BCCH-23	23	56.0	370.0	52.5	57.9	45.0	19.0	23.1	1
BCCH-29	29	56.0	370.0	58.5	57.9	45.0	19.0	25.2	1

Our customer service dept. or local distribution partner will be pleased to help you concerning product availability and lead time

**Content of delivery:**

- 1x BCCH, Cobot Conduit Holder
- 1x Velcro® (500mm) for fixation

Assembly instructions:

- Please consider the appropriate assembly instructions on www.pma.ch

ABB Switzerland Ltd,
PMA Cable Protection
Aathalstrasse 90
8610 Uster, Switzerland
Phone: +41 58 585 00 11
pma-info@ch.abb.com
www.pma.ch

Let's write the future.
Together. **abb.com**

We reserve the right to make technical changes or modify the contents of this document without prior notice. With regard to purchase orders, the agreed particulars shall prevail. ABB Installation Products Inc. does not accept any responsibility whatsoever for potential errors or possible lack of information in this document.

We reserve all rights in this document and in the subject matter and illustrations contained therein. Any reproduction, disclosure to third parties or utilization of its contents – in whole or in parts – is forbidden without prior written consent of ABB Inc. Copyright© 2019 ABB Installation Products Inc. All rights reserved

