

Cable management

Cable gland



Connector gland, small

For pre-assembled cables with connectors.

- For use with material thickness of up to 4 mm
- Strain relief of the pre-assembled cables can be achieved with cable ties

Material:

- Plastic

Colour:

- RAL 9005

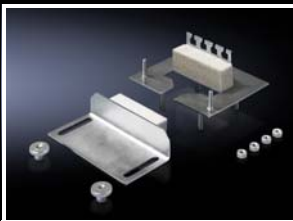
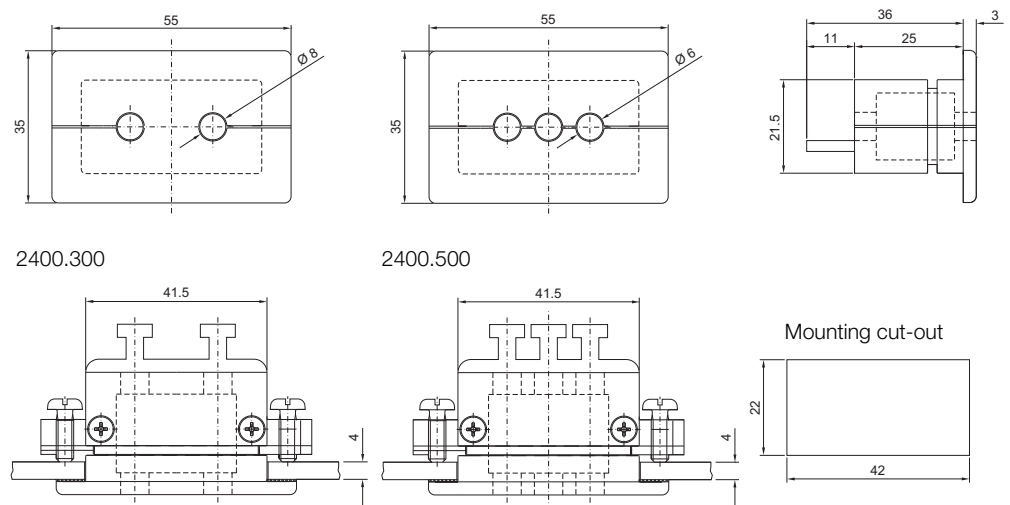
Protection category IP to IEC 60 529:

- IP 65 if installed correctly

Supply includes:

- Assembly parts

To fit	Packs of	Model No.
2 cables Ø 6 – 8 mm	1 pc(s).	2400.300
3 cables Ø 4 – 6 mm	5 pc(s).	2400.500



Cable gland module

for support arm connection Ø 130 mm

Use of the mounting cut-out for support arm connection Ø 130 mm, round, with enclosures mounted on the wall, for sealed cable entry. May also be mounted retrospectively with the cables already inserted.

Fitted with T-heads for cable clamping. Particularly well-suited to cables with identical cross-sections.

Material:

- Sheet steel

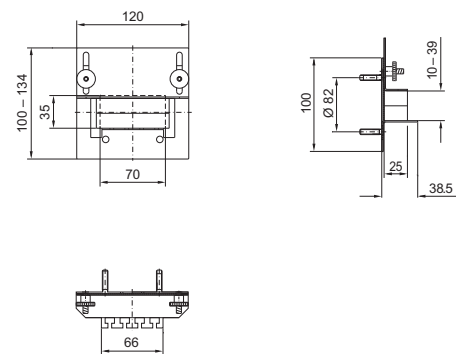
Surface finish:

- Zinc-plated

Supply includes:

- Assembly parts

Packs of	Model No.
1 pc(s).	6052.500



Stepped collar

for wall thicknesses from 1.5 to 4.5 mm

For cable entry, simply cut off at the required level to match the cable diameter.

Material:

- Plastic to UL 94-HB

Protection category IP to IEC 60 529:

- IP 54 with careful cable entry

For hole	Sealing range mm	Packs of	Model No.
M20	5 – 16	100 pc(s).	2899.200
M25	5 – 21	50 pc(s).	2899.250
M32	13 – 26.5	25 pc(s).	2899.320
M40	13 – 34	20 pc(s).	2899.400