

Keyboard support

for command panels or surfaces

Width mm	Weight kg	Packs of	Model No.
430	3.0	1 pc(s).	6321.010

Benefits:

- Adjustable to different keyboard depths via a simple slide function
- Connection to operating housings with support arm connection at the top or bottom
- Easily adjustable tilt angle
- Open support at the side prevents dirt from being deposited

Installation options:

- Operating housing with handle strips
- Operating housing for desktop TFT up to 24"
- External mounting on vertical surfaces and beneath horizontal surfaces

Technical specifications:

- Support surface fully depth adjustable from 128 - 228 mm

Material:

- Sheet steel
- Handrest: Extruded aluminium section

Surface finish:

- Textured paint
- Handrest: Natural anodised

Colour:

- RAL 7035

Supply includes:

- Support fully preassembled
- Nylon tape for attaching the keyboard
- Assembly parts

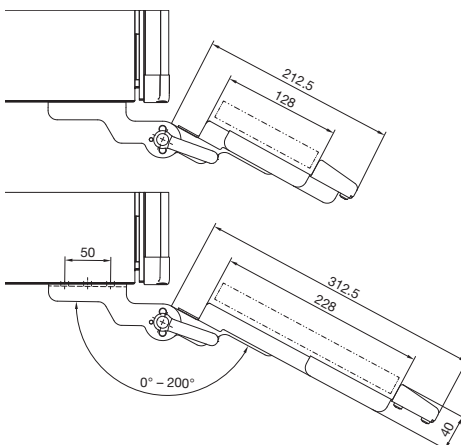
Further technical information:

Available on the Internet



Accessories:

- Support for mousepad, vertically hinged, see Catalogue 34, page 713



Interface flap

for RC circuit-breaker

Under the current Safety of Machinery Standard EN 60204-1, all externally accessible sockets on an enclosure must be fused with an RC circuit-breaker. Prepared for the installation of standard, 2-pole RCBO circuit-breakers.

Applications:

- As programming interface for controllers
- As maintenance access for networks
- For temporary connection of additional equipment
- For quick connection to existing network structures
- For programming and maintenance of integral components

Design:

- Spring-action terminals max. 2 x 2.5 mm, connection at rear

Benefits:

- Protection against short-circuit and overload
- Complies with EN 60 204
- The RC switch may be reset without opening the enclosure
- Spring mechanism raises the unlocked cover by 30°. This ensures that you do not forget to close the cover.

Functions:

- A snap fastener ensures reliable sealing. This may be locked if required.

Material:

- Mounting frame: Plastic PBT (black)
- Plastic flap: Polycarbonate (semi-transparent)

Protection category IP to IEC 60 529:

- IP 65

Supply includes:

- Interface flap, complete, consisting of plastic frame, socket (VDE), RJ 45 (jack/jack, Cat 5e) and cut-out for RC circuit-breaker
- Knockout provided for USB A (jack/jack)
- 3 mm double-bit with slot-in rotary knob

Note:

- Interface flap may only be used with fitted RC circuit-breaker

Further technical information:

Available on the Internet



Width mm	Height mm	Required mounting cut-out mm	Installation depth mm	Rated operating voltage V, ~, Hz	Rated current A	Packs of	Model No.
131	127	117 x 91	70	250, 1~, 50/60	10 - 16	1 pc(s).	2482.600