

Rack-mounted fans/tangential fans for 482.6 mm (19")



Climate control accessories Page 473 Software & services Page 515

Supply includes:

- Fully wired unit ready for connection
- Clamping strip and assembly parts (for rack-mounted fan/ Vario rack-mounted fan)
- Filter mat (for tangential fan)

Guide frame supply includes:

- Guide frame
- Connector and fitted connection cable (3 m)
- Mounting bracket for optional attachment to the 482.6 mm (19") system
- Assembly parts



Also required:

Order a guide frame according to the application (only for Vario rack-mounted fan)

Approvals:

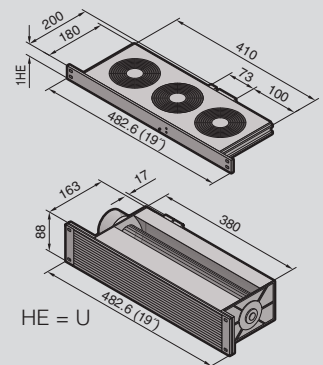
Available on the Internet.

Detailed drawings:

Available on the Internet.

Performance diagrams:

Available on the Internet.



Rack-mounted fan, air throughput 320/480 m³/h

Model No. SK	3340.024 ¹⁾	3340.115 ¹⁾	3340.230	3341.024 ¹⁾	3341.115	3341.230	Page
2 fans, distance between axes 85 mm	■						
3 fans, distance between axes 85 mm				■			
Rated operating voltage V, Hz	24 (DC)	115 (AC), 50/60	230 (AC), 50/60	24 (DC)	115 (AC), 50/60	230 (AC), 50/60	
Dimensions mm W x H x D	482.6 (19") x 44 (1 U) x 200						
Air throughput, unimpeded air flow	320 m³/h			480 m³/h			

Rated current max.	0.49 A	0.46 A/0.46 A	0.24 A/0.22 A	0.74 A	0.69 A/0.69 A	0.36 A/0.33 A	
Pre-fuse T	6.0 A						
Operating temperature range	-10°C to +55°C						
Noise level	51 dB (A)	52 dB (A)	51 dB (A)		52 dB (A)	51 dB (A)	

Accessories

Digital temperature display/thermostat	3114.200	3114.200	3114.200	3114.200	3114.200	3114.200	475
Enclosure internal thermostat	3110.000	3110.000	3110.000	3110.000	3110.000	3110.000	476
Speed control	-	3120.200	3120.200	-	3120.200	3120.200	477

Model No. SK	3342.024 ¹⁾	3342.115 ¹⁾	3342.230	3342.500 ²⁾³⁾	Page
3 fans, distance between axes 105 mm	■				
Rated operating voltage V, Hz	24 (DC)	115 (AC), 50/60	230 (AC), 50/60	24 (DC) 115 – 230 (AC)	
Dimensions mm W x H x D	482.6 (19") x 44 (1 U) x 200				
Air throughput, unimpeded air flow	480 m³/h				

Rated current max.	0.74 A	0.69 A/0.69 A	0.36 A/0.33 A	0.85 A	
Pre-fuse T	6.0 A				
Operating temperature range	-10°C to +55°C				
Noise level	51 dB (A)	52 dB (A)	51 dB (A)		

Accessories

Digital temperature display/thermostat	3114.200	3114.200	3114.200	3114.200	475
Enclosure internal thermostat	3110.000	3110.000	3110.000	3110.000	476
Speed control	-	3120.200	3120.200	-	477

¹⁾ Extended delivery times. ²⁾ Rack-mounted fan for metric mounting angles available on request. ³⁾ Version with monitoring.