

Bell suction cup (round)

FSG 9 NBR-55 G1/8-IG

Part no.:10.01.06.00002

<https://www.schmalz.com/10.01.06.00002>

Homepage > Vacuum Technology for Automation > Vacuum Components > Vacuum Suction Cups > Bellows Suction Cups (Round) > Bellows

Suction Cups FSG (2.5 Folds) > FSG 9 NBR-55 G1/8-IG

Bellows suction cup (round) for very uneven workpieces



Size: 9

Suction cup material:

Nitrile rubber NBR

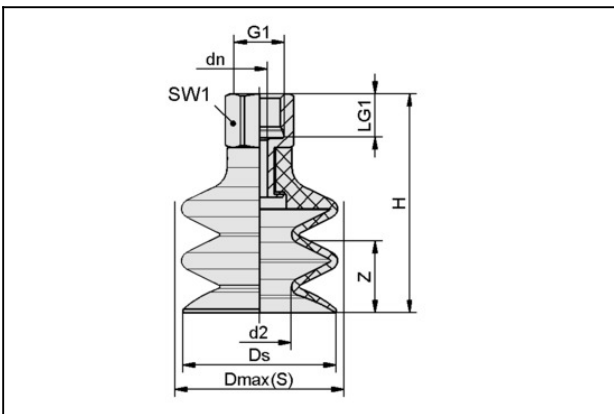
Material hardness: 55 °Sh

Nipple material: Aluminium

Vacuum connection: G1/8"-F

Number of folds: 2.5

Design Data



Attribute	Value
d2	4.1 mm
dn	3.5 mm
Dmax(S)	9.5 mm
Ds	9 mm
G1	G1/8"-F
H	27 mm
LG1	8.5 mm
SW1	14 mm
Z (Stroke)	3 mm

Technical Data

Contact to Schmalz

J. Schmalz GmbH | Johannes-Schmalz-Straße, 72293 Glatten, Deutschland | +49 7443 2403-105 | kundencenter@schmalz.de

Bell suction cup (round)

FSG 9 NBR-55 G1/8-IG

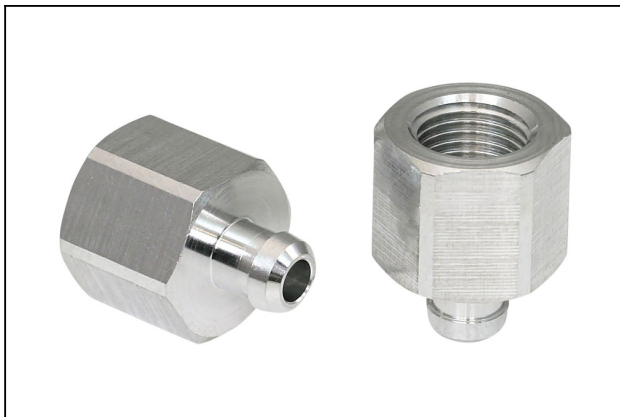
Part no.:10.01.06.00002

<https://www.schmalz.com/10.01.06.00002>

Attribute	Value
Suction cup material	Nitrile rubber NBR
Material hardness [Shore A]	55 Shore A
Size	9
Number of folds	2.5
Connection	G1/8-IG
Curve radius (min) (convex)	10 mm
Volume	0.15 cm ³
Suction force (-600mbar)	0.79 N
Pull-off force	2.3 N
Hose diameter (empf.) d	4 mm
Weight	4.9 g
Product family	FSG

Note: Suction force: The specified suction forces are theoretical values at a vacuum of -0.6 bar and with a smooth, dry workpiece surface - they do not include a safety factor Pull-off force: The pull-off force of the versions made of natural rubber is reduced by about 40% Hose diameter: The recommended hose diameter refers to a hose length of approx. 2 m

Spare Parts



SA-NIP N016 G1/8-IG DN350

Part no.10.01.06.05731

Suction cup connection nipple

Nipple: N 016

Thread G1: G1/8"-F

Overall length: 18.5 mm

Fitting length: 12 mm

Nominal size: 3,50 mm

Material: Aluminium

Bell suction cup (round)

FSG 9 NBR-55 G1/8-IG

Part no.:10.01.06.00002

<https://www.schmalz.com/10.01.06.00002>



FG 9 NBR-55 N016

Part no.10.01.06.00051

Bellows suction cup (round) for very uneven workpieces

Size: 9

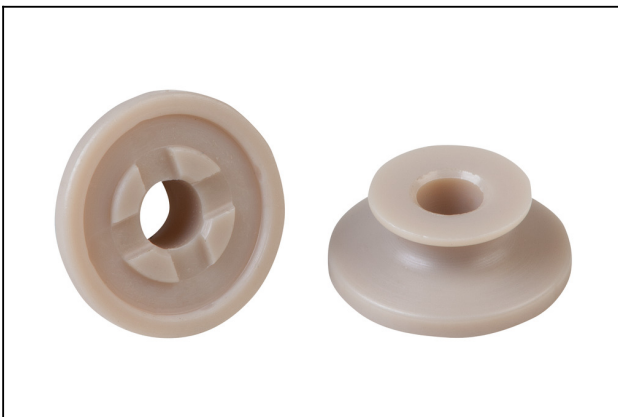
Suction cup material:

Nitrile rubber NBR

Material hardness: 55 °Sh

Number of folds: 2.5

Accessories



SPI 9 PEEK

Part no.10.01.06.03280

Suction cup insert for handling of sensitive workpieces without leaving marks

Size: 9

Material: Polyetheretherketon